

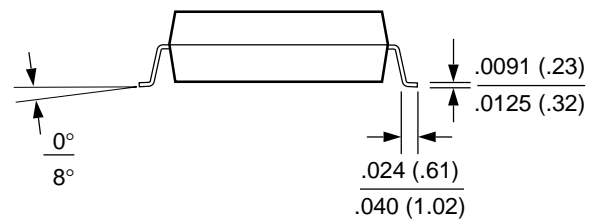
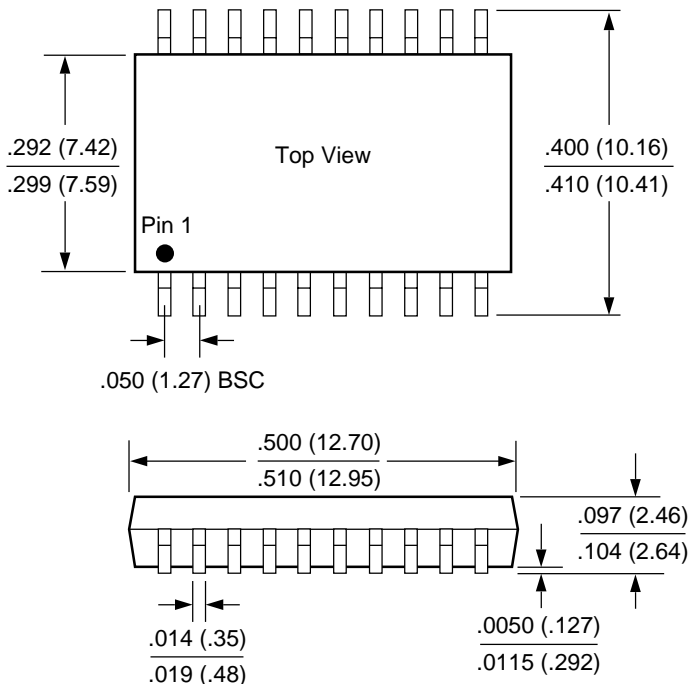
## Index of Package Diagrams

20-Pin SOIC .....	1	100-Pin TQFP .....	11
20-Pin PLCC .....	2	100-Ball BGA .....	12
20-Pin Plastic DIP .....	2	120-Pin PQFP .....	12
20-Pin LCC .....	3	128-Pin PQFP .....	13
20-Pin Cerdip .....	3	128-Pin TQFP .....	13
24-Pin Plastic DIP .....	4	133-Pin CPGA .....	14
24-Pin Cerdip .....	4	144-Ball BGA .....	14
28-Pin SSOP .....	5	160-Pin MQFP .....	15
28-Pin PLCC .....	5	160-Pin PQFP .....	15
28-Pin Plastic DIP .....	6	176-Pin TQFP .....	16
28-Pin LCC .....	6	208-Pin MQFP .....	16
44-Pin PLCC .....	7	208-Pin PQFP .....	17
44-Pin TQFP .....	7	208-Ball BGA .....	18
44-Pin JLCC .....	8	240-Pin MQFP .....	19
48-Pin TQFP .....	8	272-Ball BGA .....	20
49-Ball BGA .....	9	304-Pin MQFP .....	21
68-Pin PLCC .....	9	320-Ball BGA .....	22
68-Pin JLCC .....	10	388-Ball BGA .....	23
84-Pin PLCC .....	10	432-Ball BGA .....	24
84-Pin CPGA .....	11	492-Ball BGA .....	25

## 20-Pin SOIC Package

Dimensions in Inches MIN. / MAX.

(Dimensions in millimeters, shown in parentheses, are for reference only)

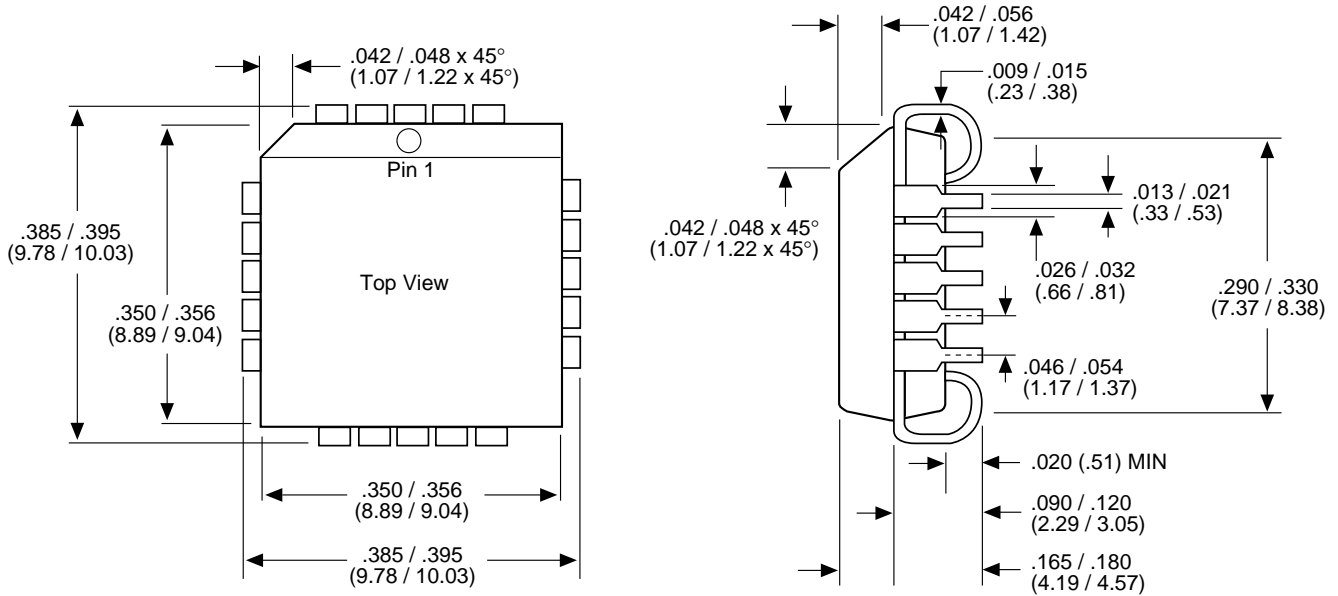


# Package Diagrams

## 20-Pin PLCC Package

Dimensions in Inches MIN. / MAX.

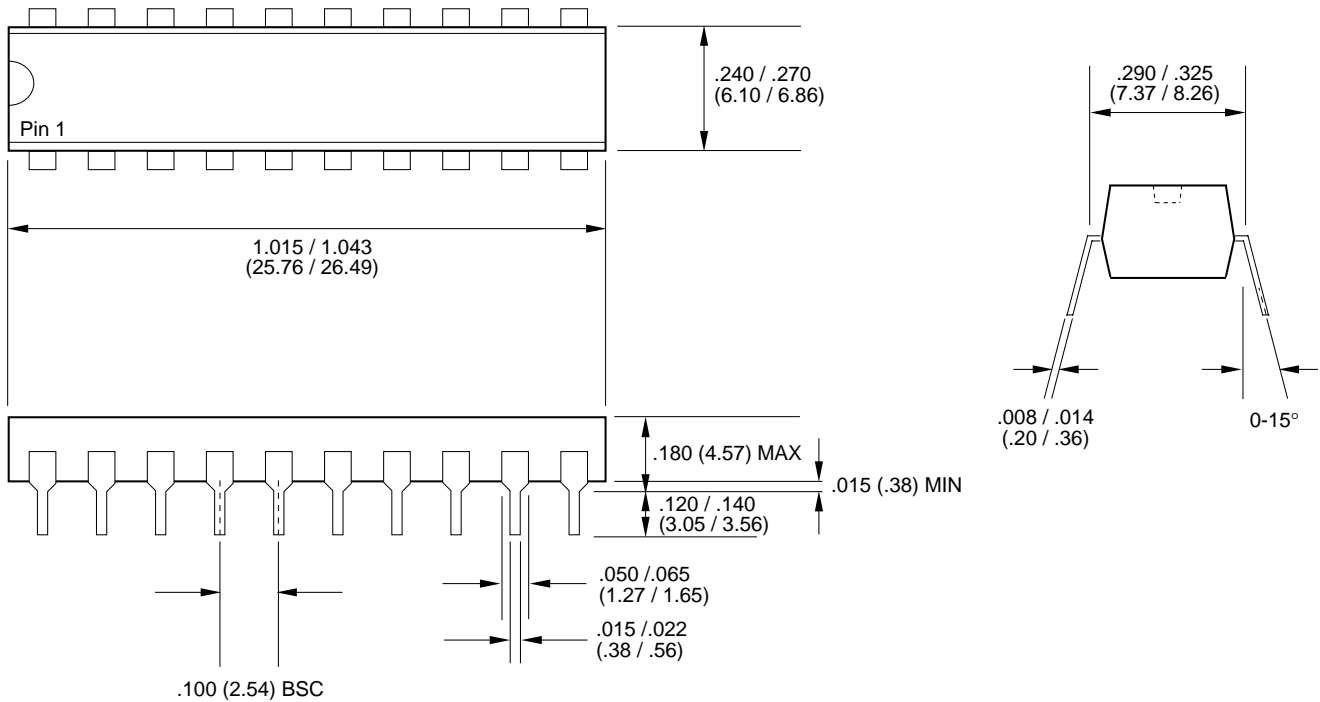
(Dimensions in millimeters, shown in parentheses, are for reference only)



## 20-Pin Plastic DIP

Dimensions in Inches MIN. / MAX.

(Dimensions in millimeters, shown in parentheses, are for reference only)

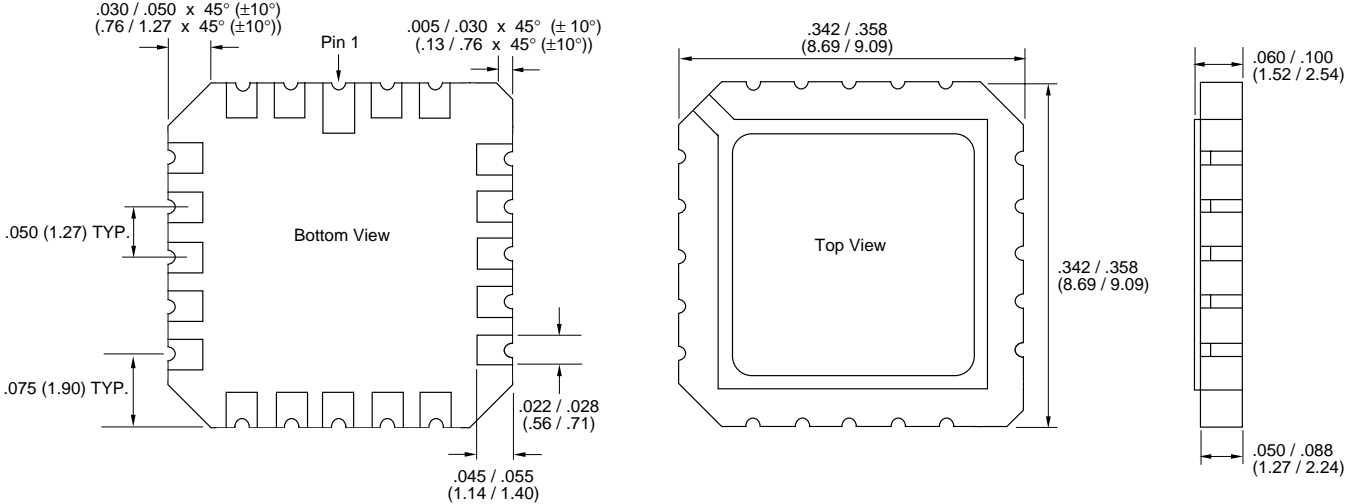


# Package Diagrams

## 20-Pin LCC

Dimensions in Inches MIN. / MAX.

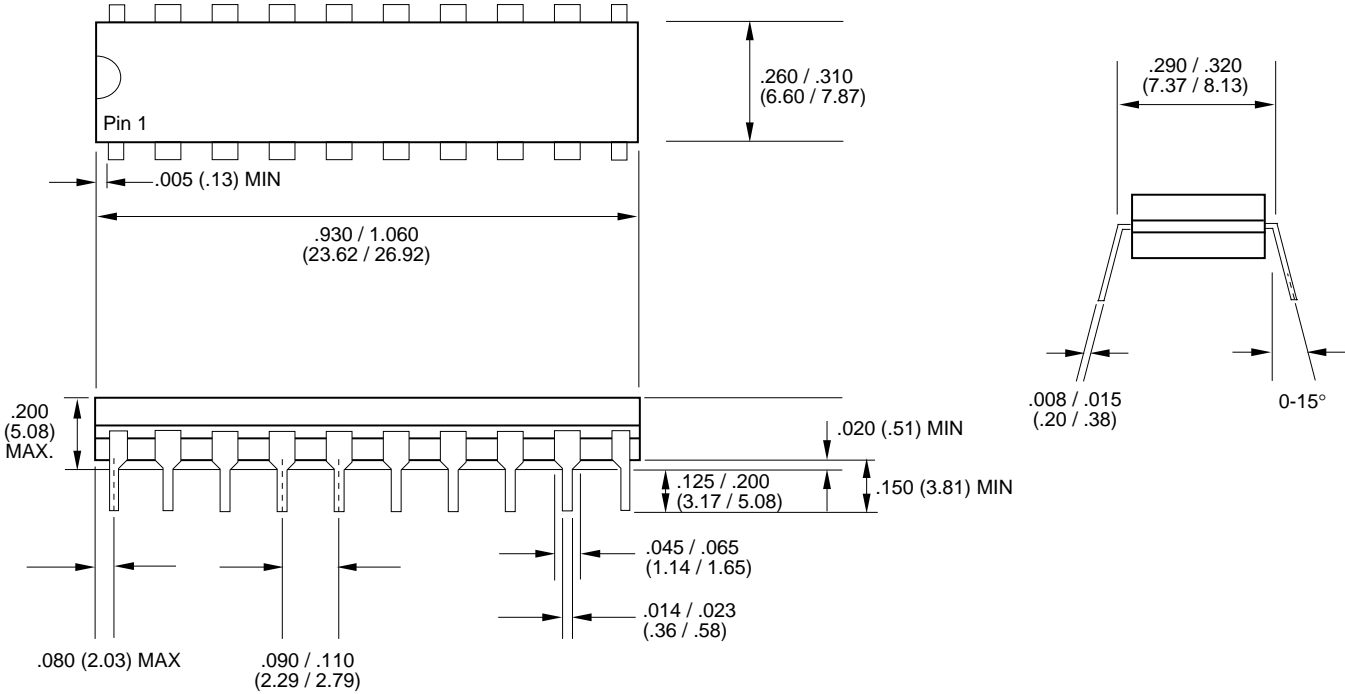
(Dimensions in millimeters, shown in parentheses, are for reference only)



## 20-Pin (300-Mil) Cerdip

Dimensions in Inches MIN. / MAX.

(Dimensions in millimeters, shown in parentheses, are for reference only)

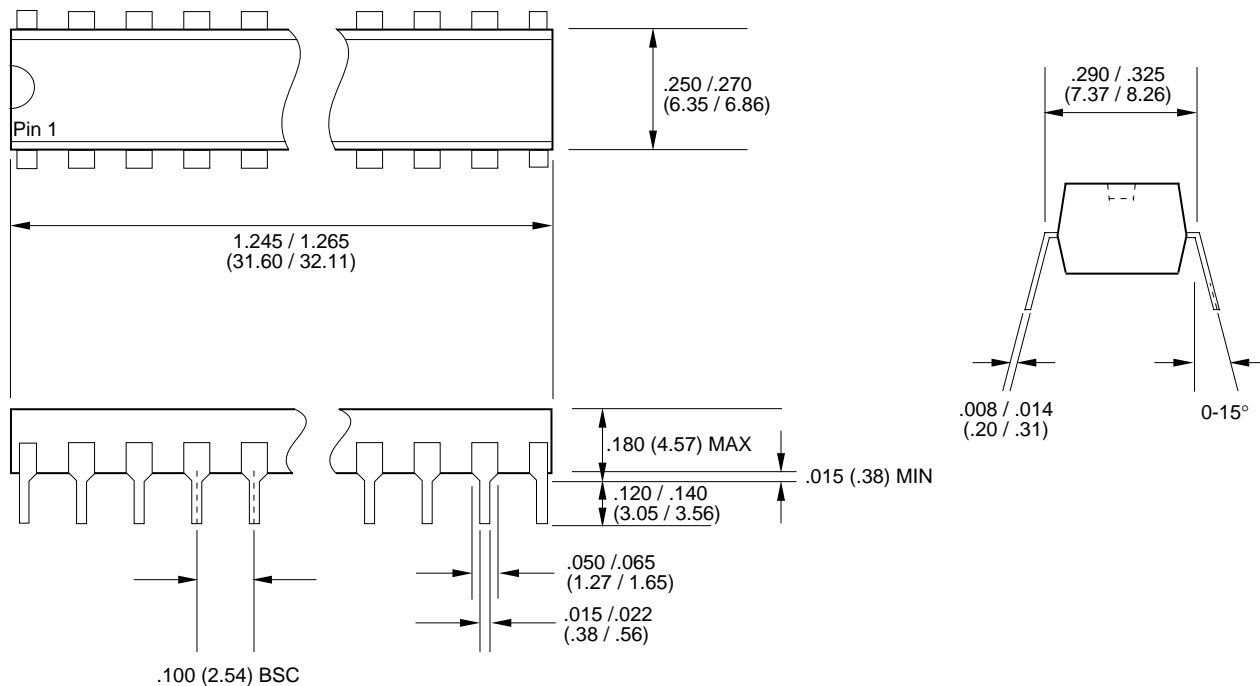


# Package Diagrams

## 24-Pin Plastic DIP

Dimensions in Inches MIN. / MAX.

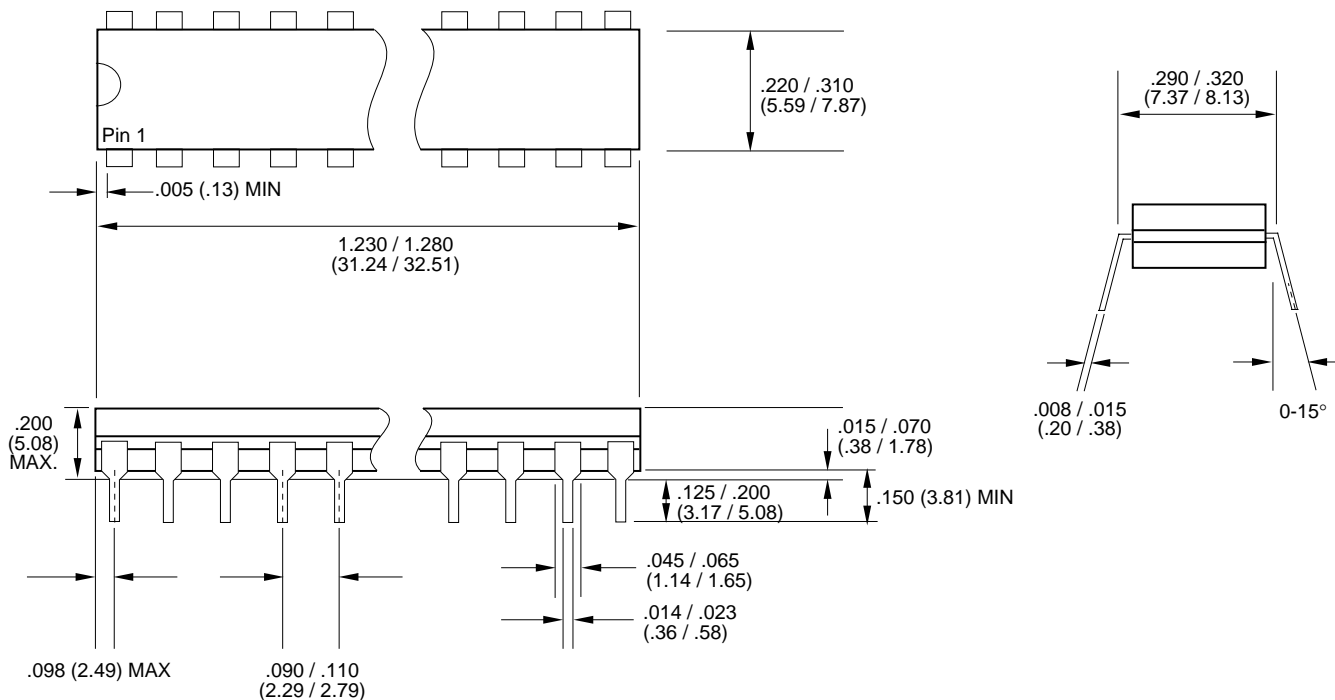
(Dimensions in millimeters, shown in parentheses, are for reference only)



## 24-Pin (300-Mil) Cerdip

Dimensions in Inches MIN. / MAX.

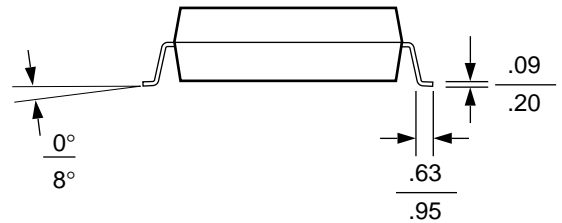
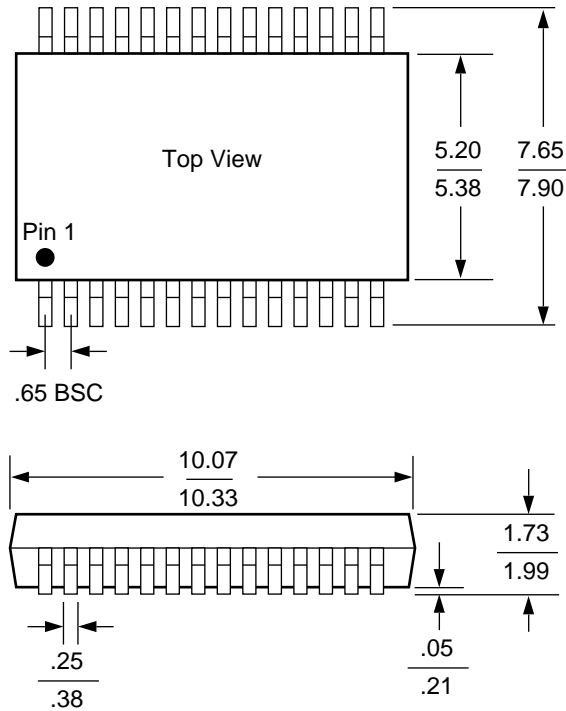
(Dimensions in millimeters, shown in parentheses, are for reference only)



# Package Diagrams

## 28-Pin SSOP

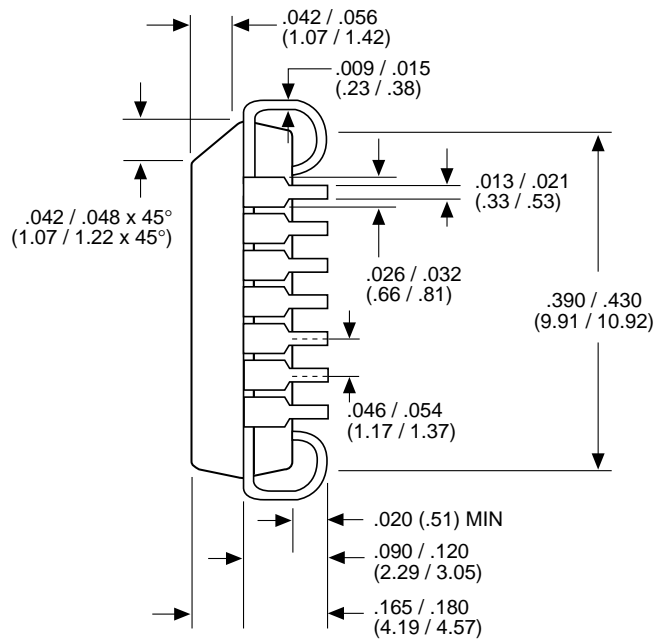
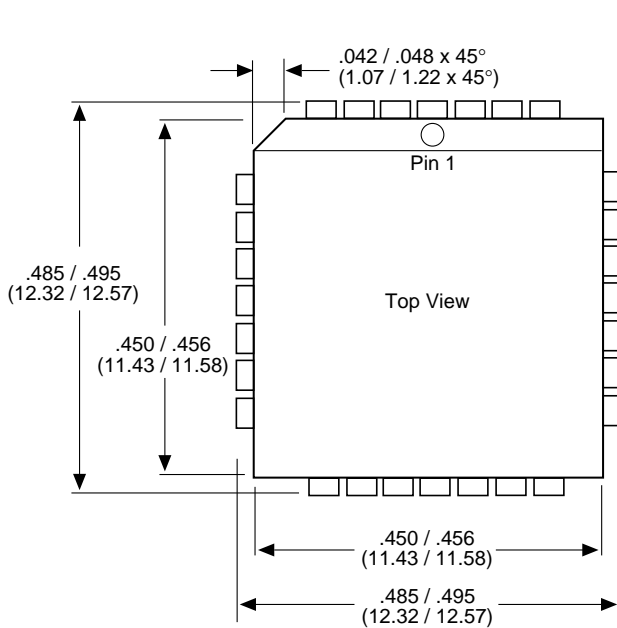
Dimensions in Millimeters MIN. / MAX.



## 28-Pin PLCC Package

Dimensions in Inches MIN. / MAX.

(Dimensions in millimeters, shown in parentheses, are for reference only)

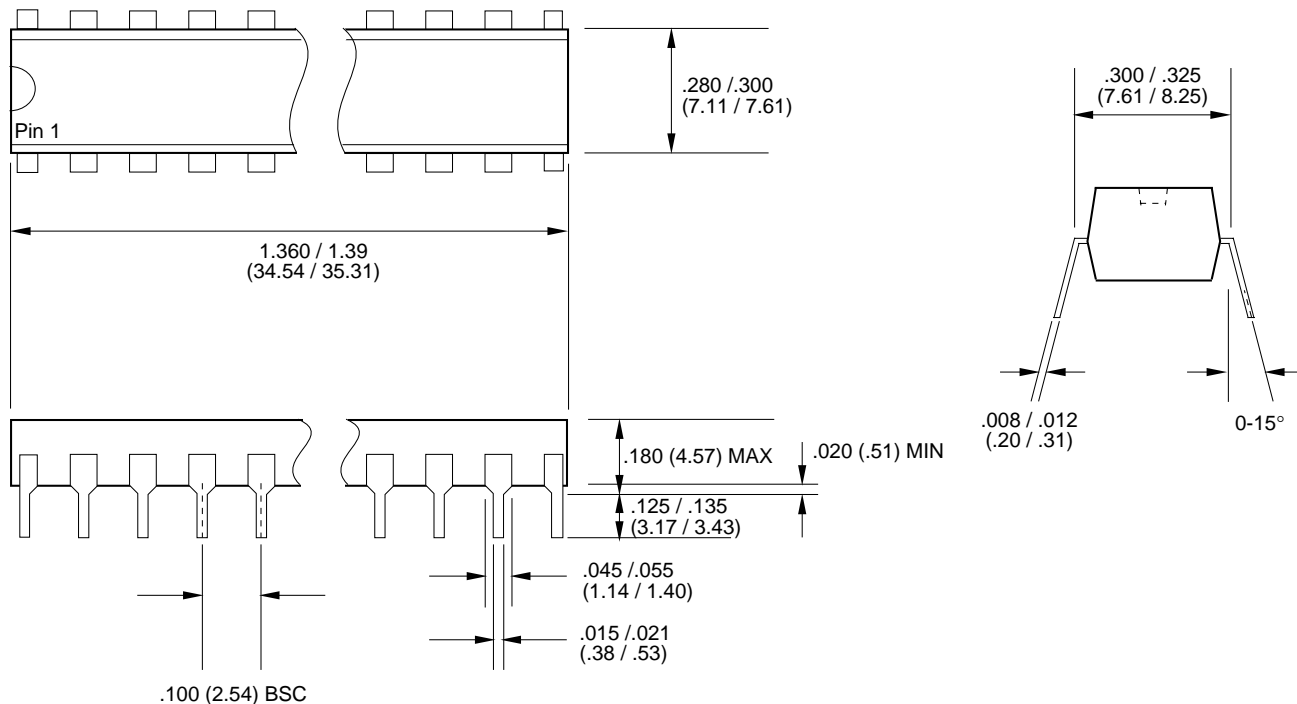


# Package Diagrams

## 28-Pin Plastic DIP

Dimensions in Inches MIN. / MAX.

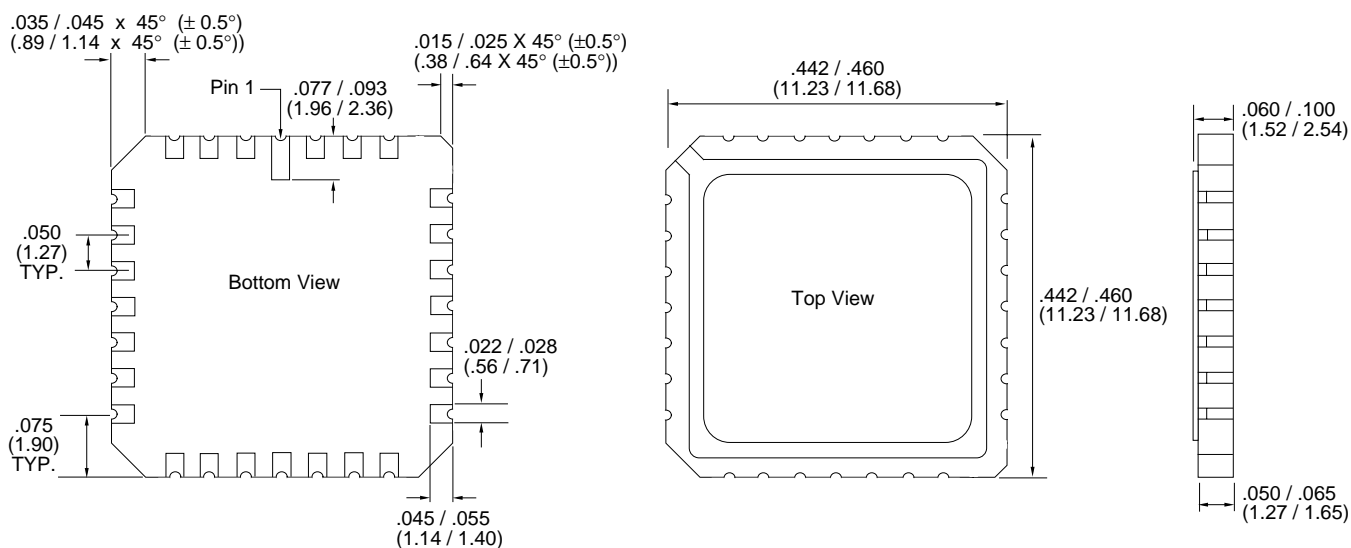
(Dimensions in millimeters, shown in parentheses, are for reference only)



## 28-Pin LCC

Dimensions in Inches MIN. / MAX.

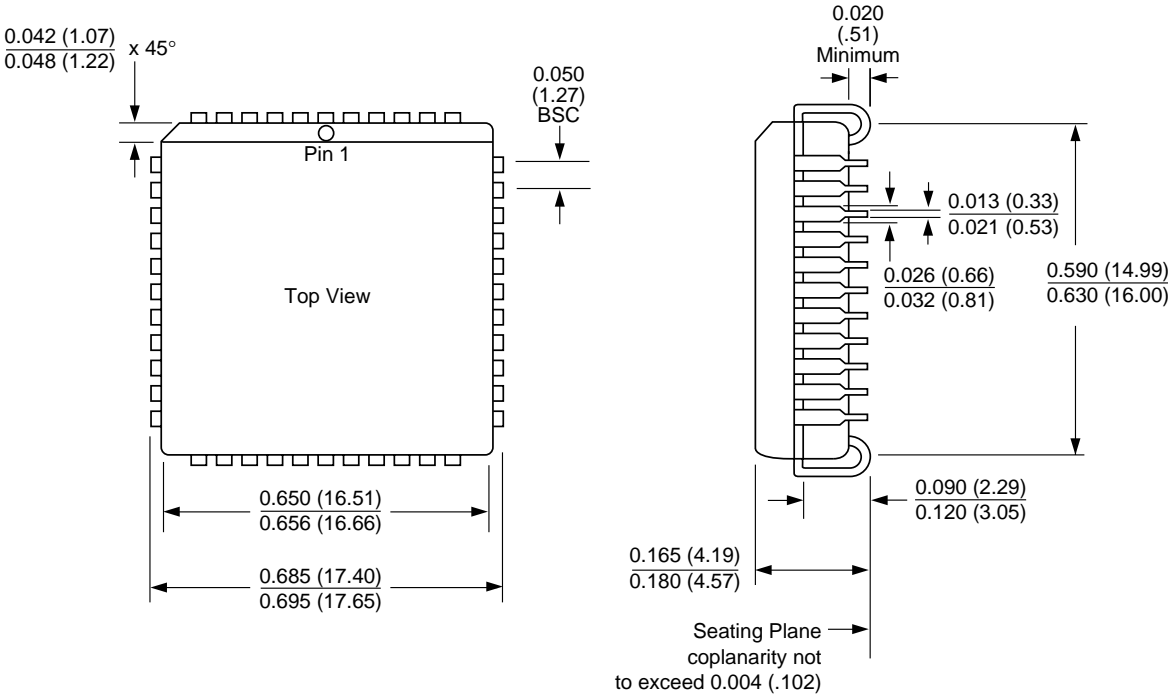
(Dimensions in millimeters, shown in parentheses, are for reference only)



## 44-Pin PLCC Package

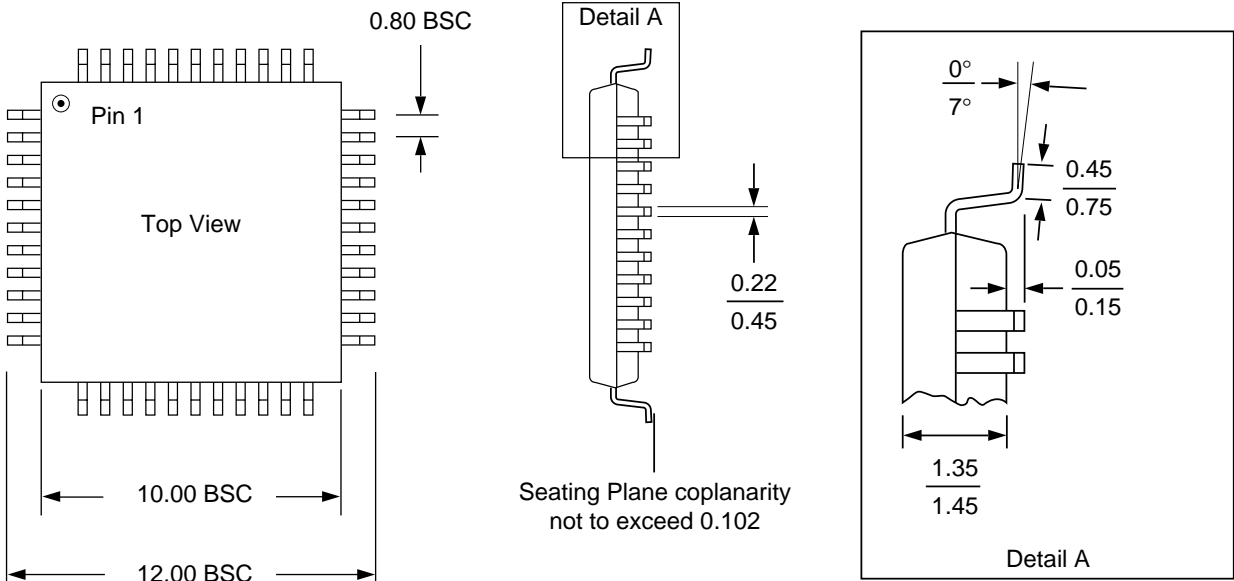
Dimensions in Inches MIN. / MAX.

(Dimensions in millimeters, shown in parentheses, are for reference only)



## 44-Pin TQFP Package

Dimensions in Millimeters MIN. / MAX.

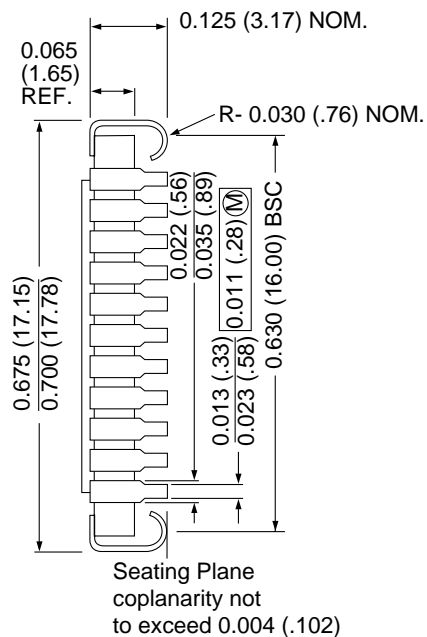
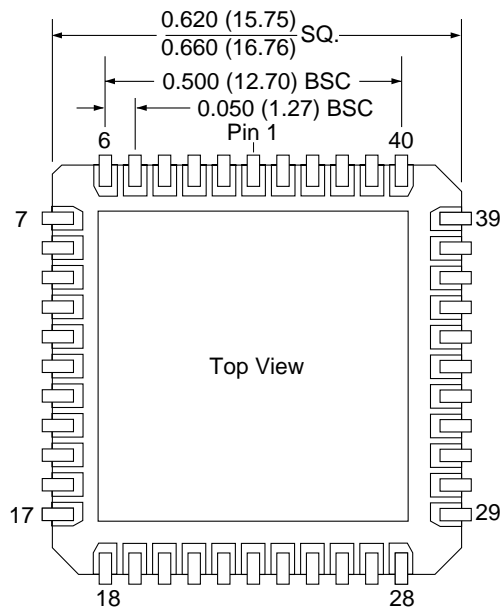


# Package Diagrams

## 44-Pin JLCC Package

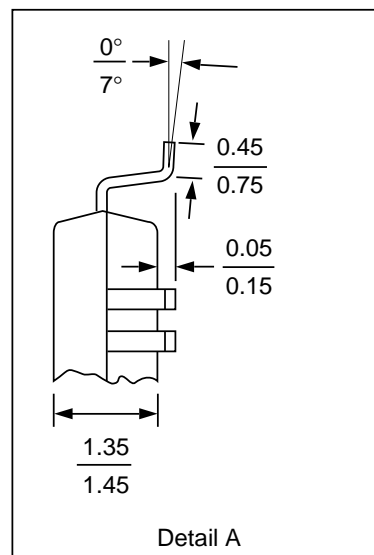
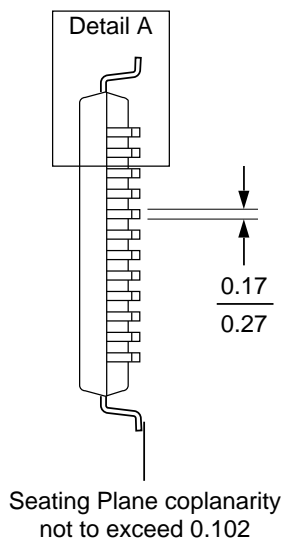
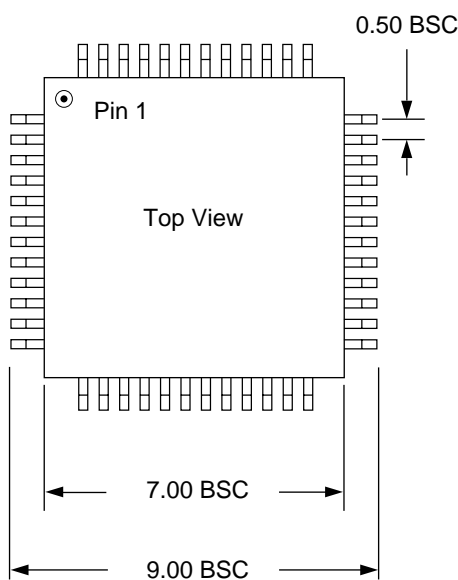
Dimensions in Inches MIN. / MAX.

(Dimensions in millimeters, shown in parentheses, are for reference only)



## 48-Pin TQFP Package

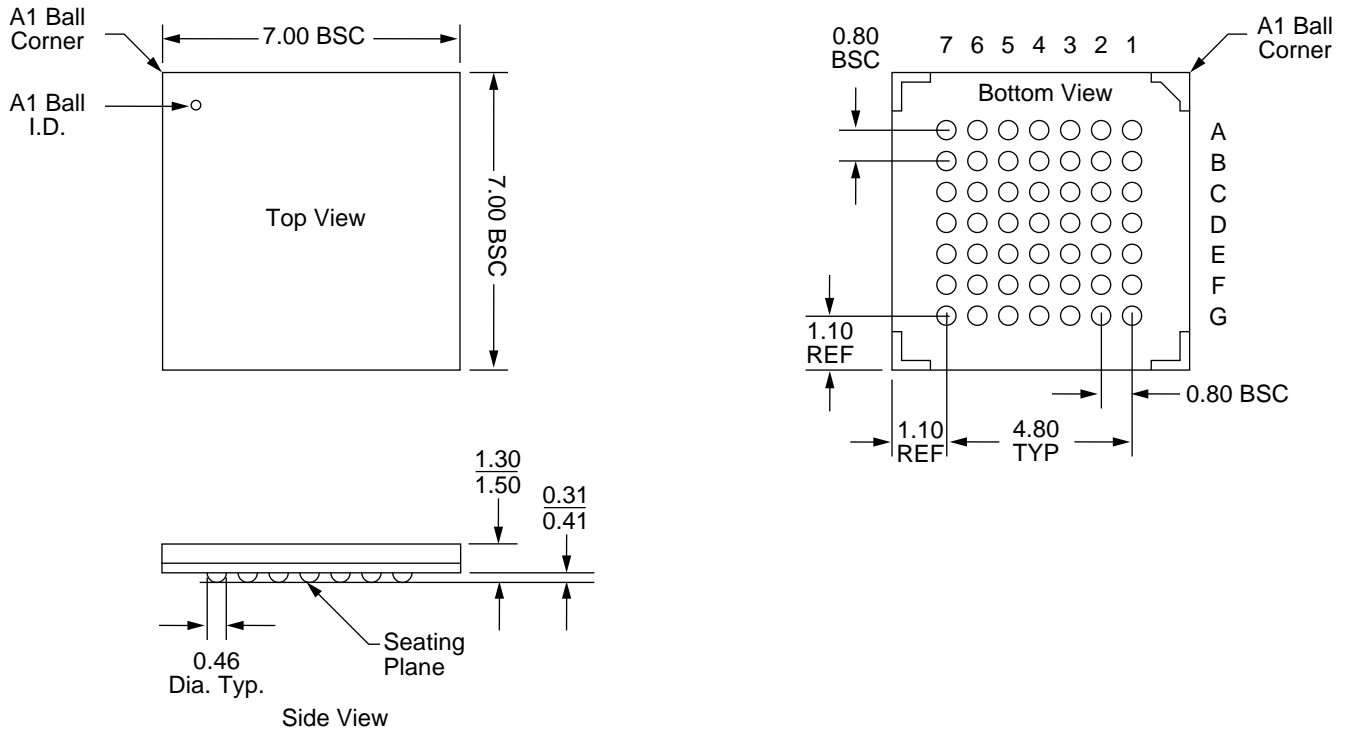
Dimensions in Millimeters MIN. / MAX.





## 49-Ball BGA Package

Dimensions in Millimeters MIN. / MAX.

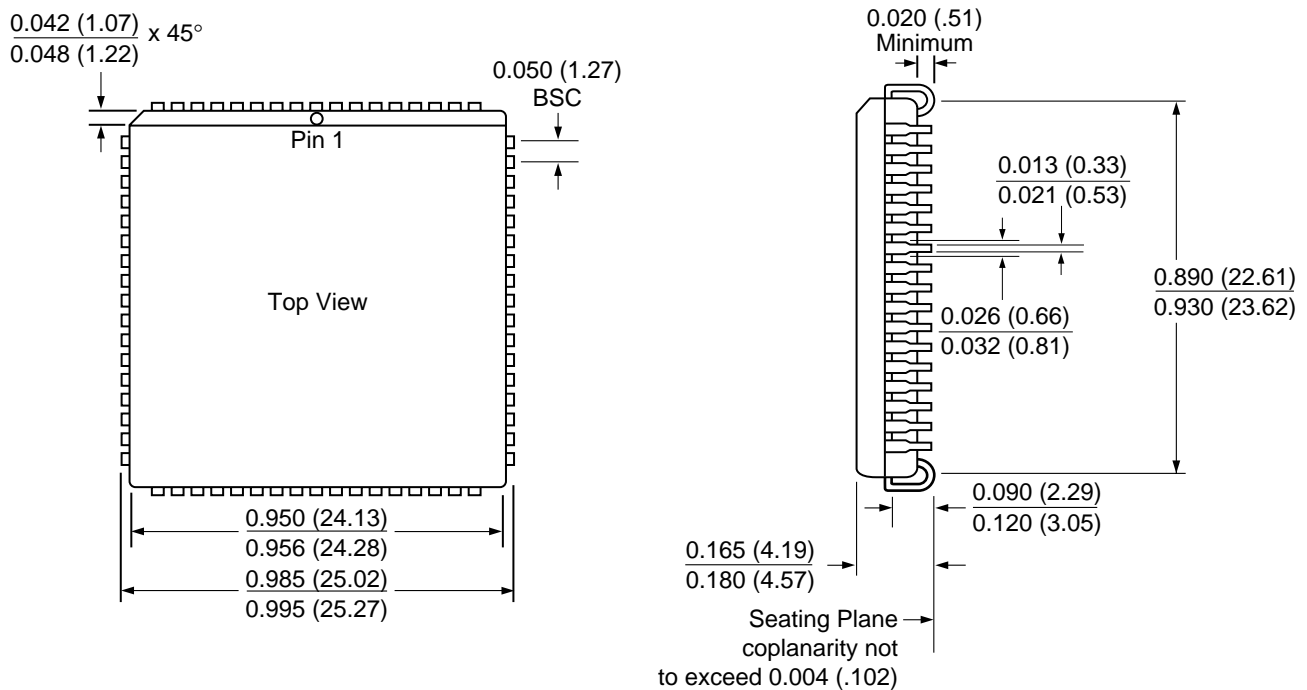


Seating Plane coplanarity not to exceed 0.12mm

## 68-Pin PLCC Package

Dimensions in Inches MIN. / MAX.

(Dimensions in millimeters, shown in parentheses, are for reference only)

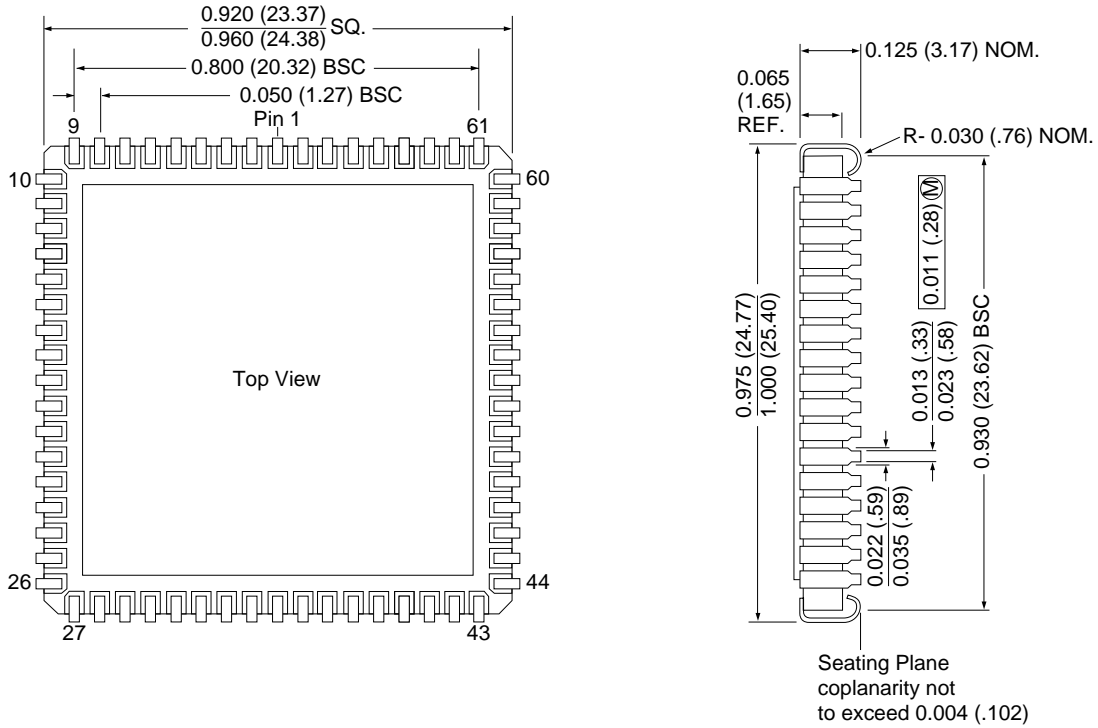


# Package Diagrams

## 68-Pin JLCC Package

Dimensions in Inches MIN. / MAX.

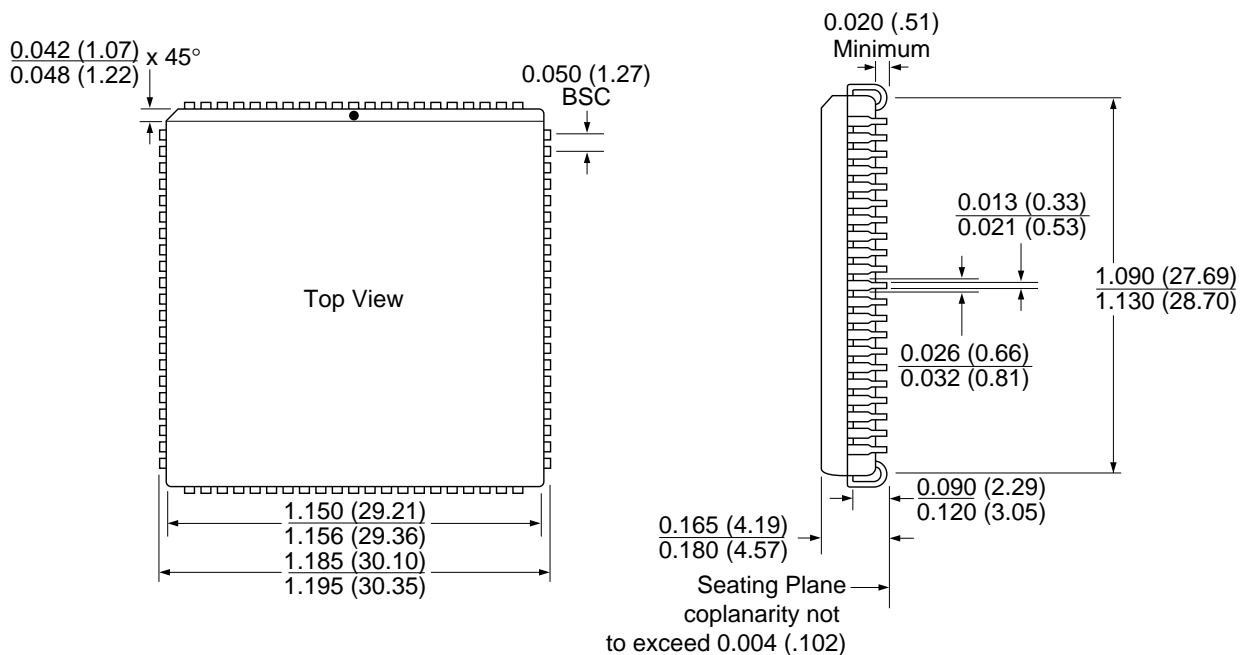
(Dimensions in millimeters, shown in parentheses, are for reference only)



## 84-Pin PLCC Package

Dimensions in Inches MIN. / MAX.

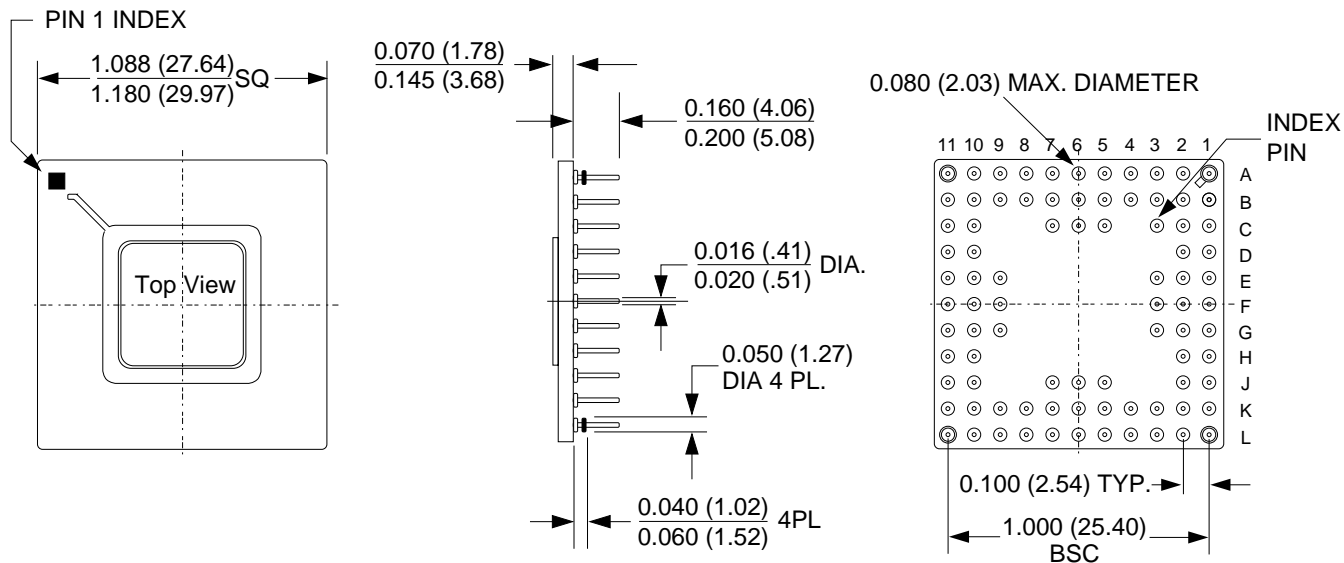
(Dimensions in millimeters, shown in parentheses, are for reference only)



## 84-Pin CPGA Package

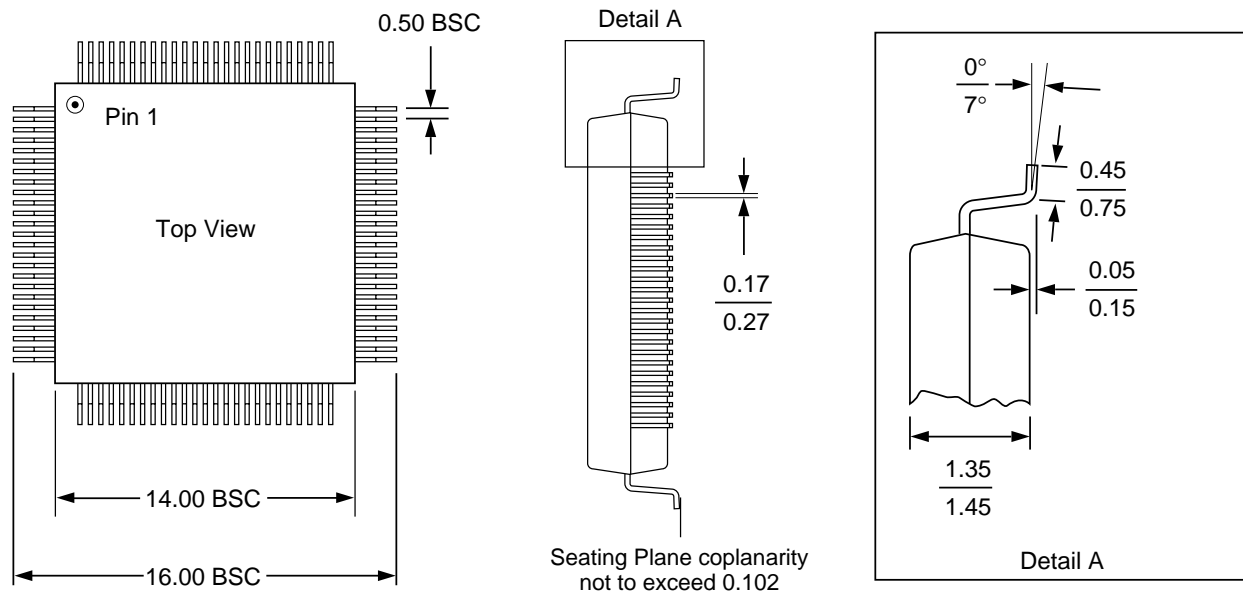
Dimensions in Inches MIN. / MAX.

(Dimensions in millimeters, shown in parentheses, are for reference only)



## 100-Pin TQFP Package

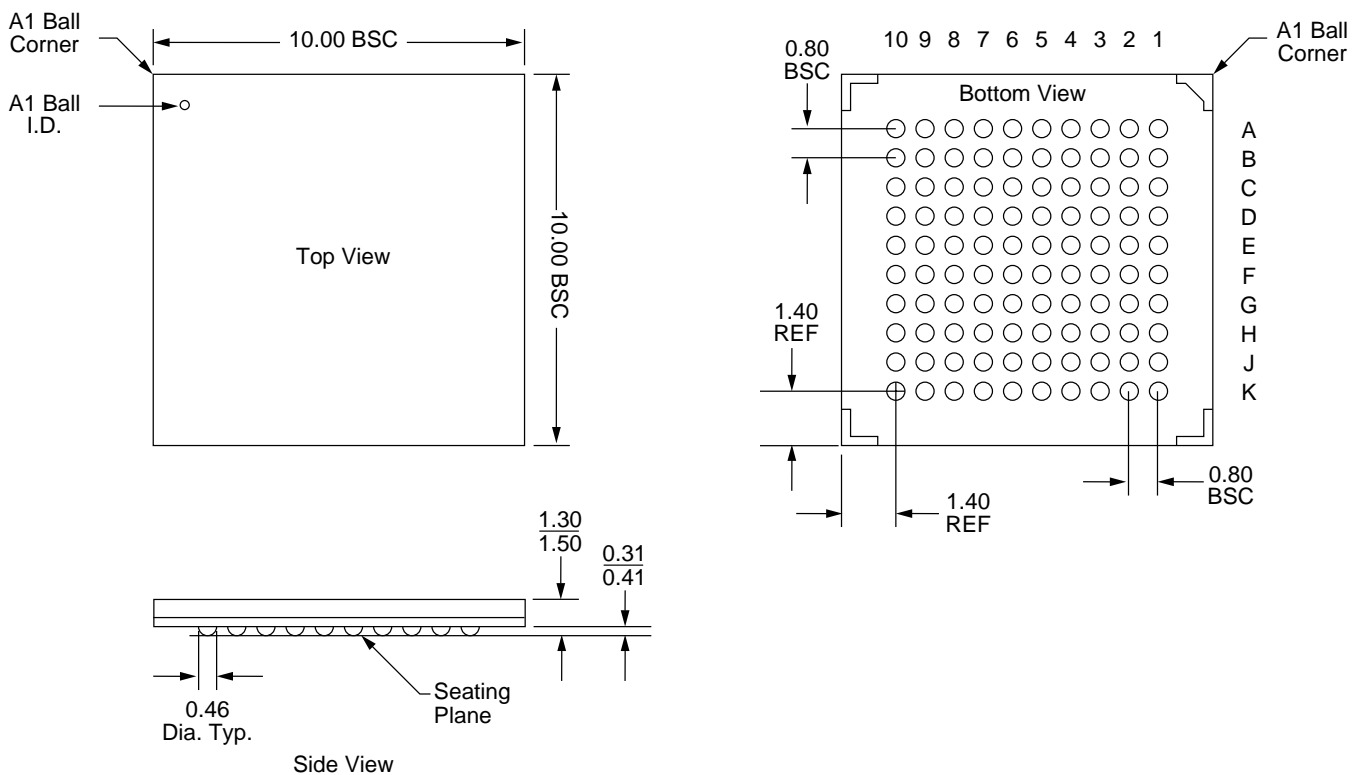
Dimensions in Millimeters MIN. / MAX.



# Package Diagrams

## 100-Ball BGA Package

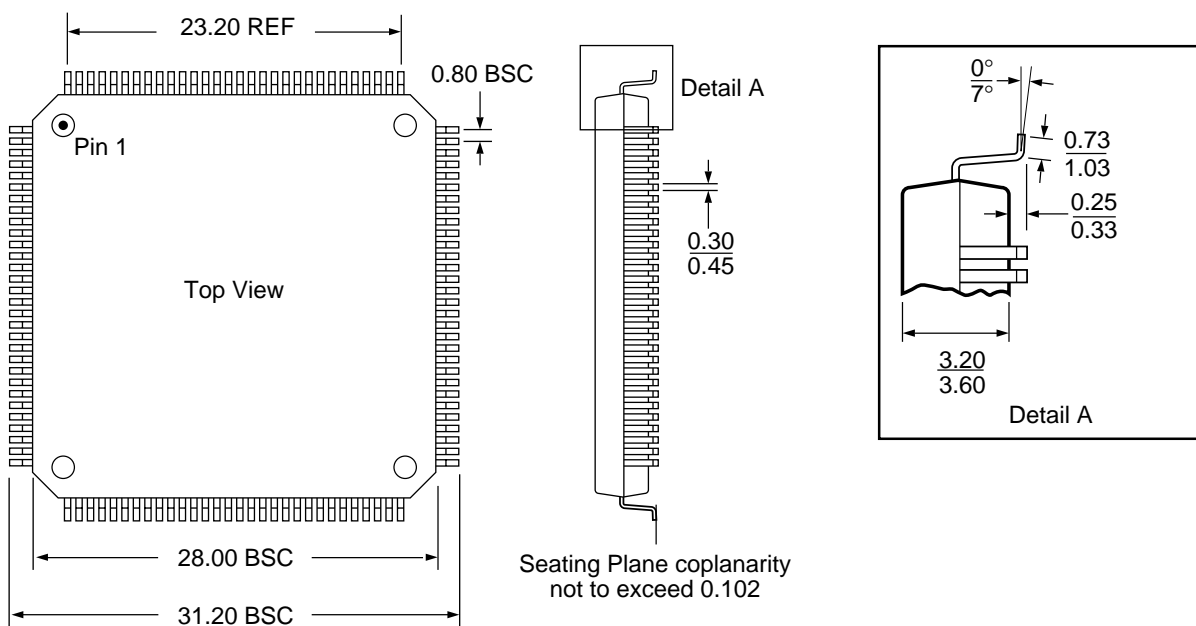
Dimensions in Millimeters MIN. / MAX.



Seating Plane coplanarity not to exceed 0.12mm

## 120-Pin PQFP Package

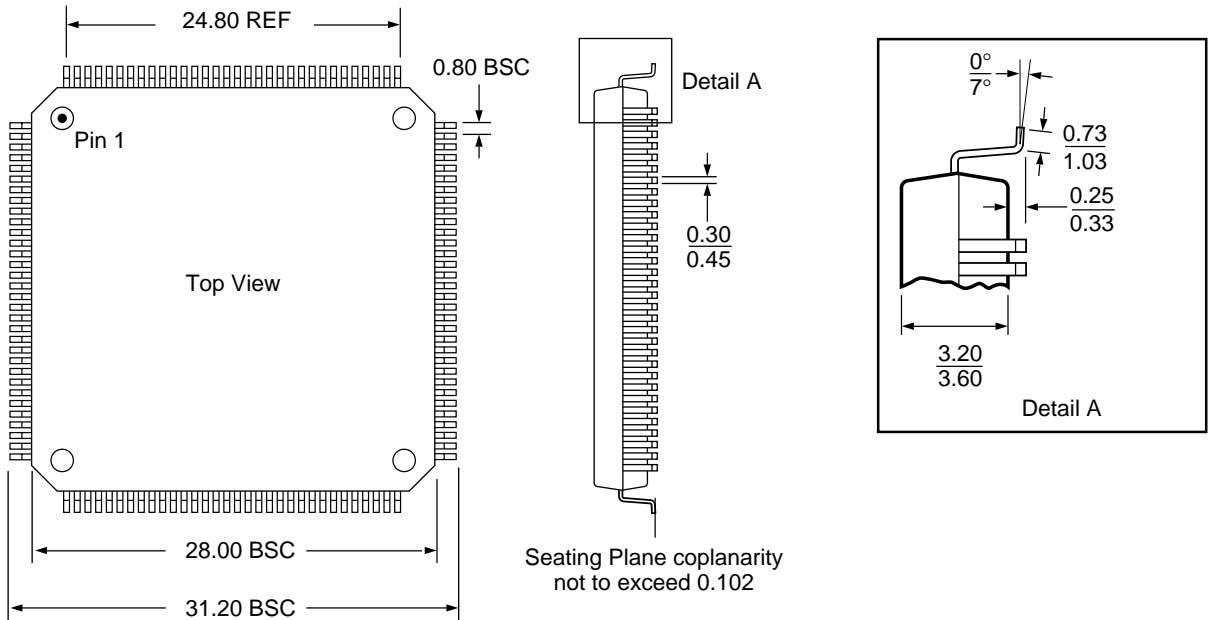
Dimensions in Millimeters MIN. / MAX.



Seating Plane coplanarity not to exceed 0.102

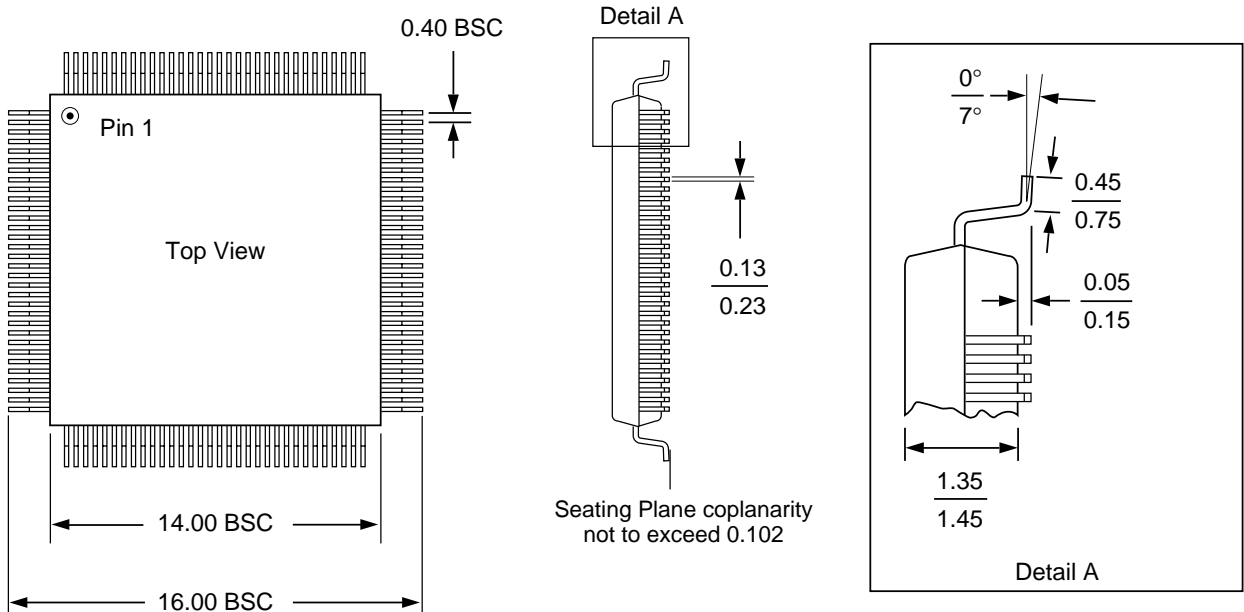
## 128-Pin PQFP Package

Dimensions in Millimeters MIN. / MAX.



## 128-Pin TQFP Package

Dimensions in Millimeters MIN. / MAX.

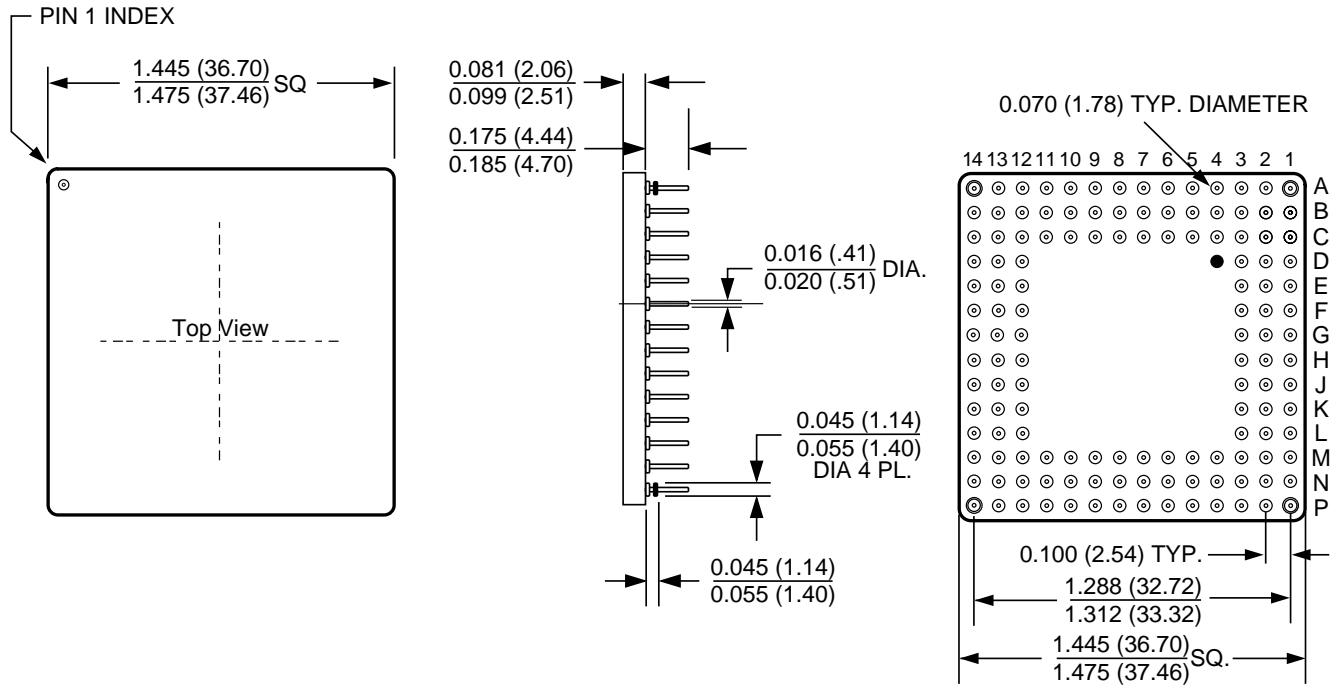


# Package Diagrams

## 133-Pin CPGA Package

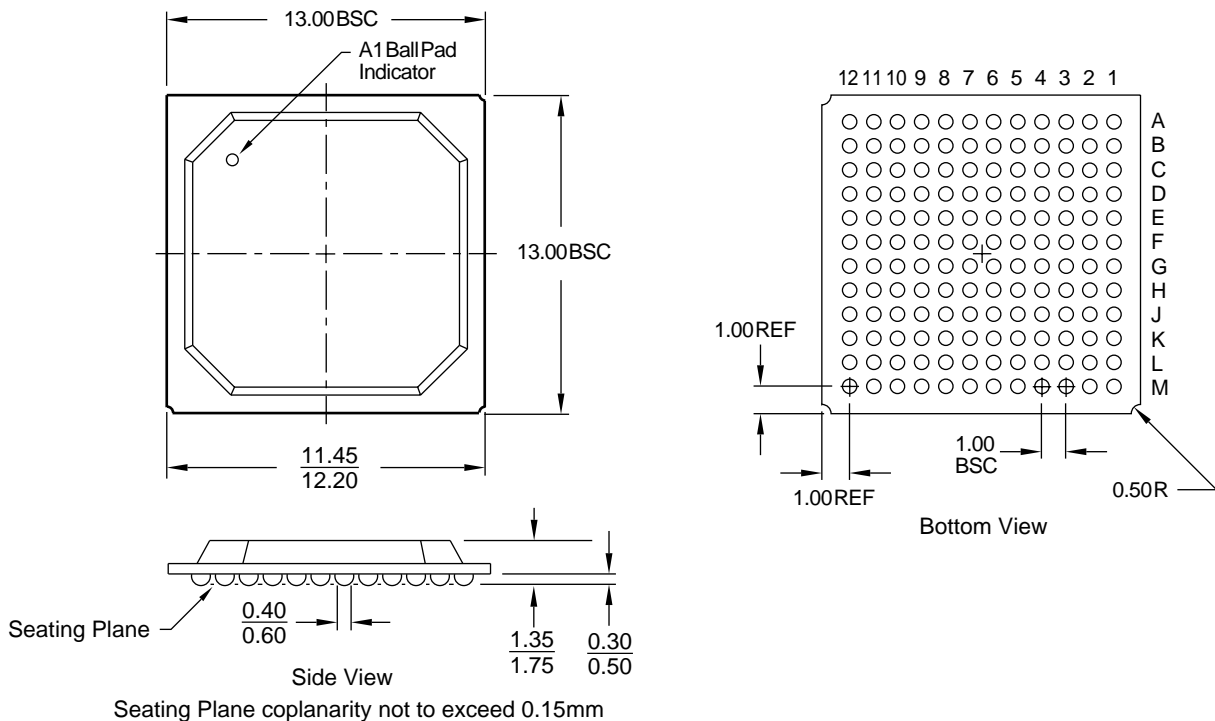
Dimensions in Inches MIN. / MAX.

(Dimensions in millimeters, shown in parentheses, are for reference only)



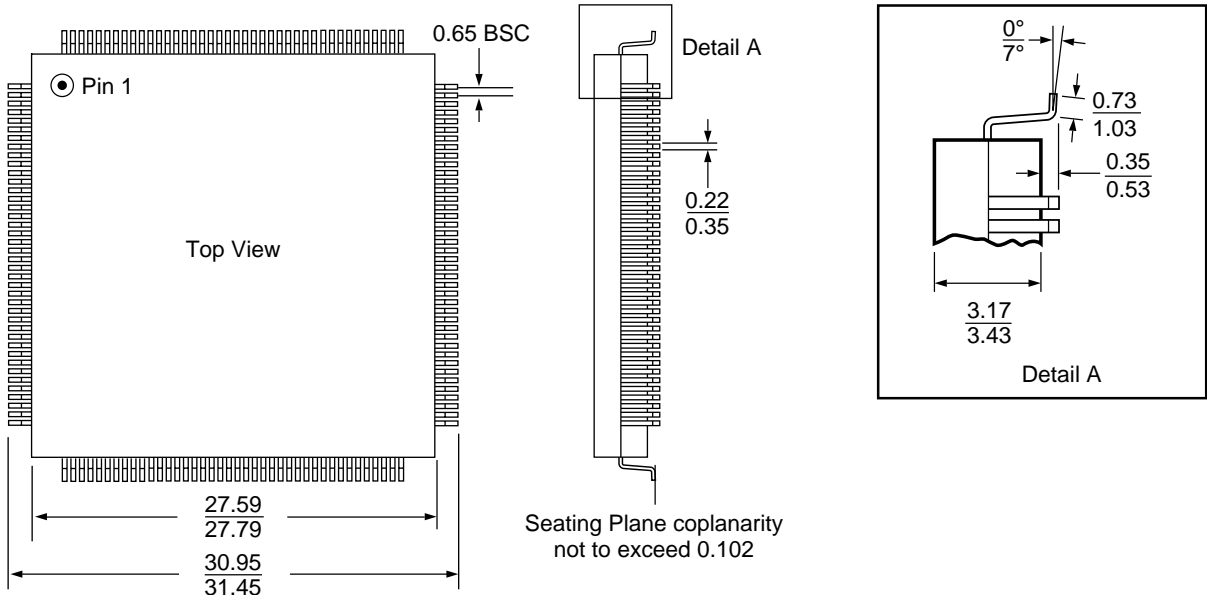
## 144-Ball BGA Package

Dimensions in Millimeters MIN. / MAX.



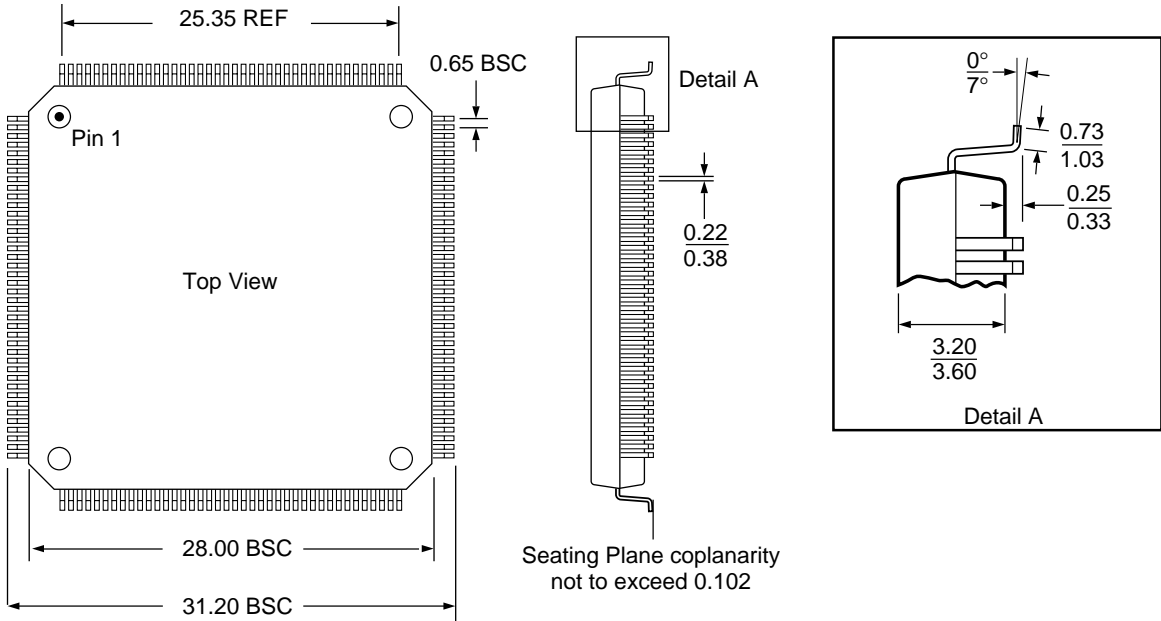
## 160-Pin MQFP Package

Dimensions in Millimeters MIN. / MAX.



## 160-Pin PQFP Package

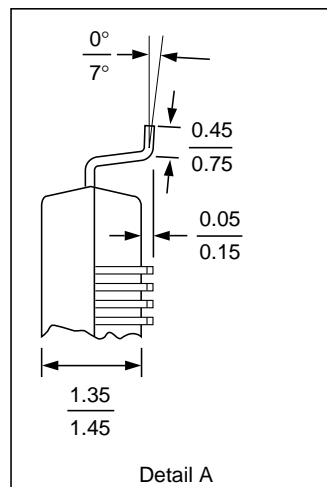
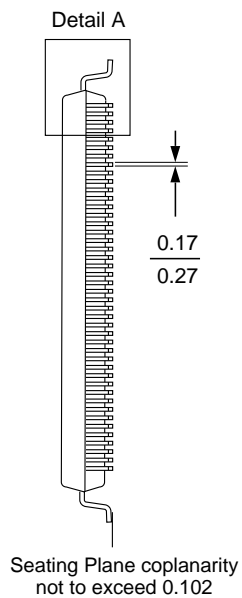
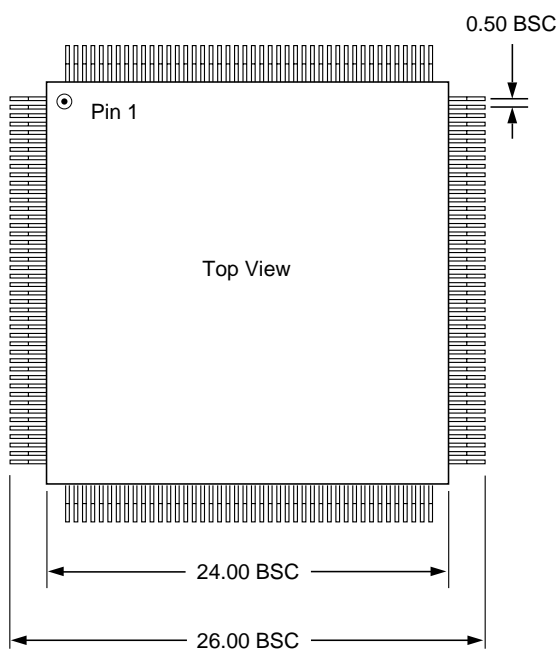
Dimensions in Millimeters MIN. / MAX.



# Package Diagrams

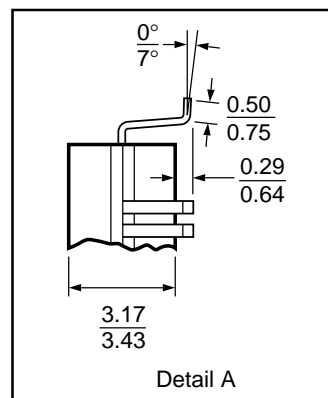
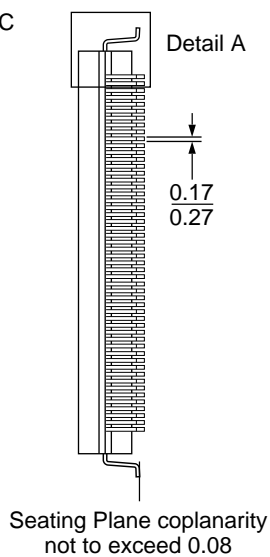
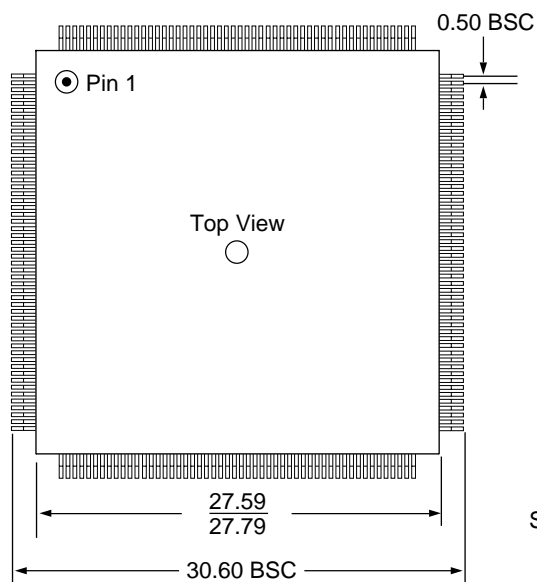
## 176-Pin TQFP Package

Dimensions in Millimeters MIN. / MAX.



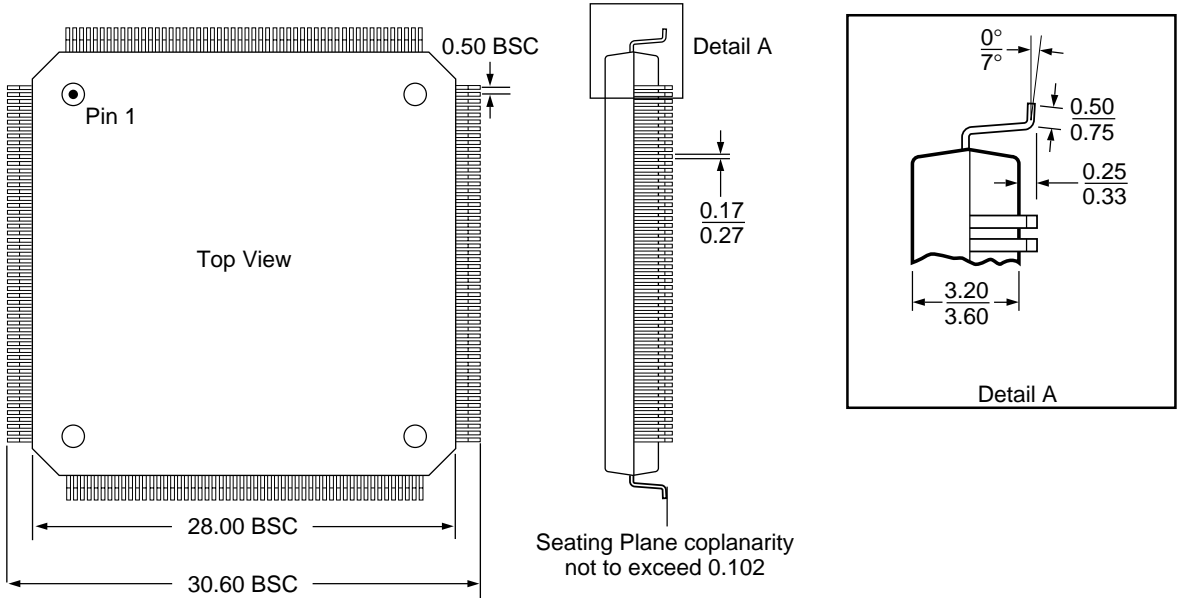
## 208-Pin MQFP Package

Dimensions in Millimeters MIN. / MAX.





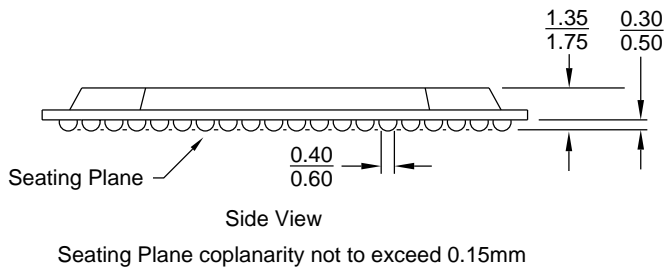
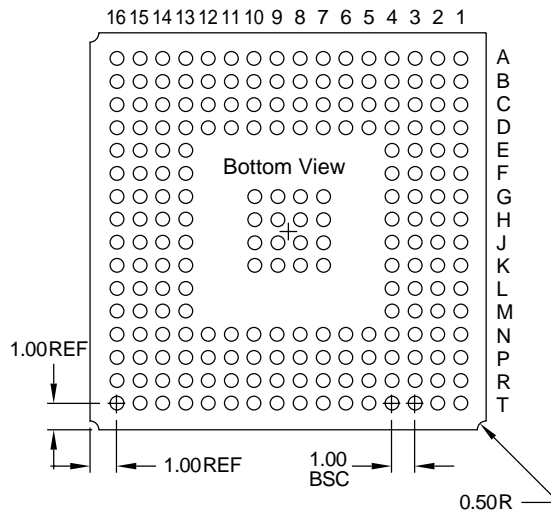
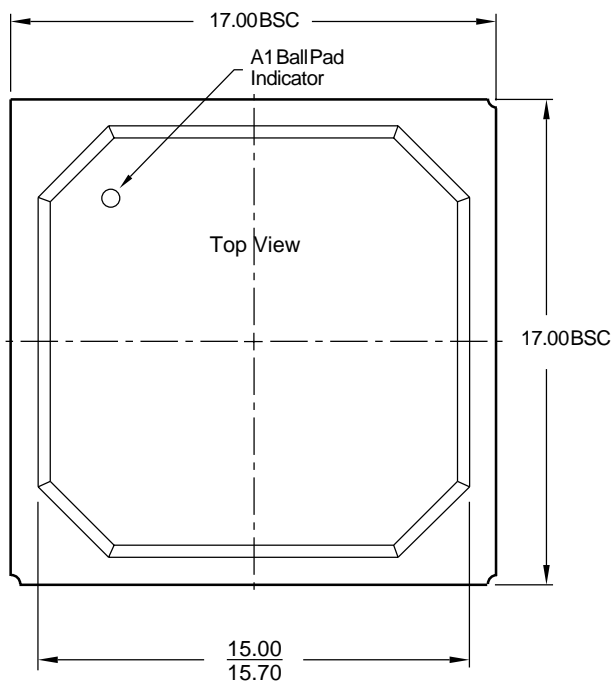
**208-Pin PQFP Package**  
(with or without Internal Heat Spreader)  
Dimensions in Millimeters MIN. / MAX.



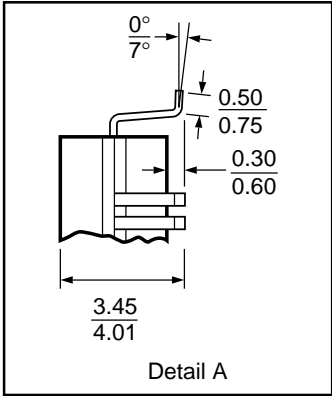
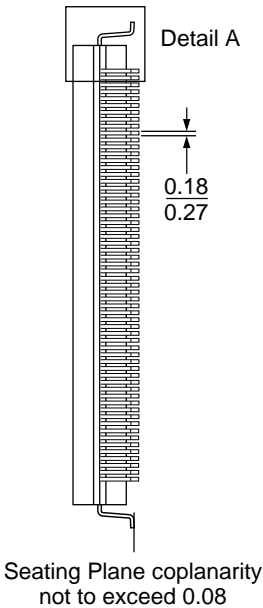
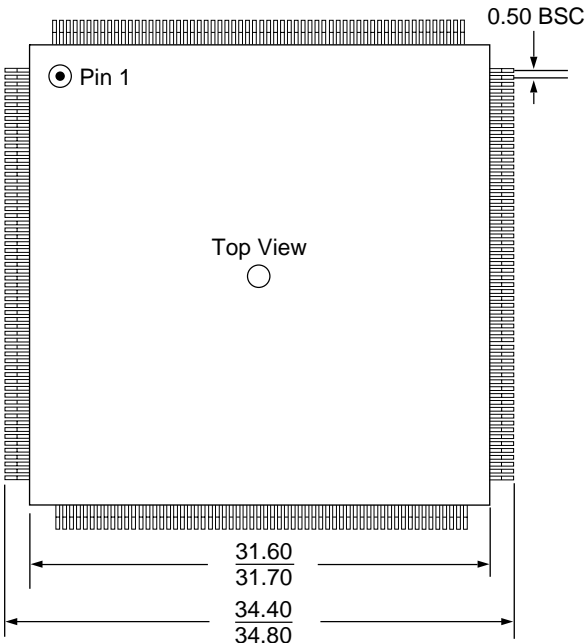
# Package Diagrams

## 208-Ball BGA Package

Dimensions in Millimeters MIN. / MAX.



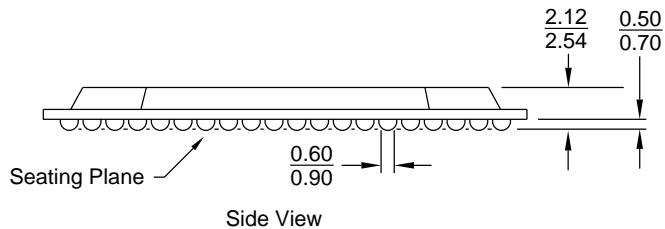
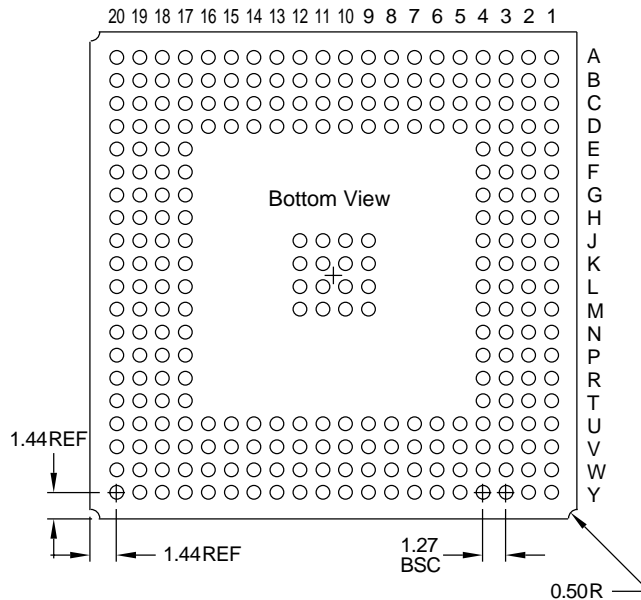
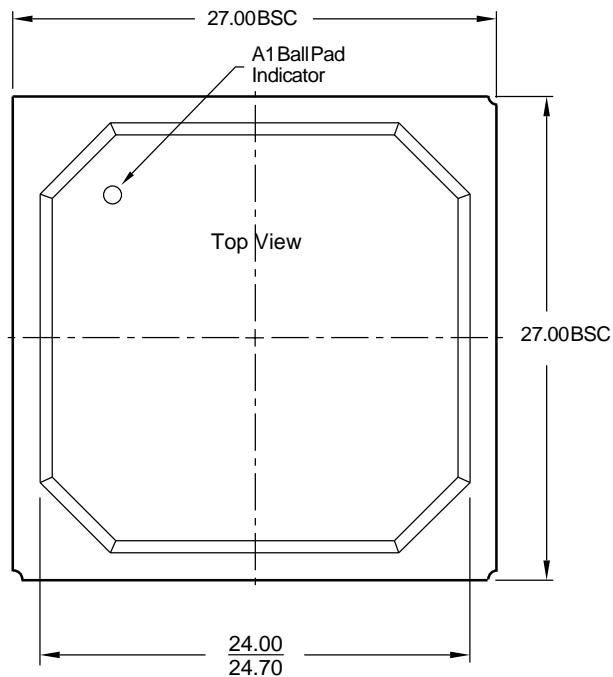
**240-Pin MQFP Package**  
Dimensions in Millimeters MIN. / MAX.



# Package Diagrams

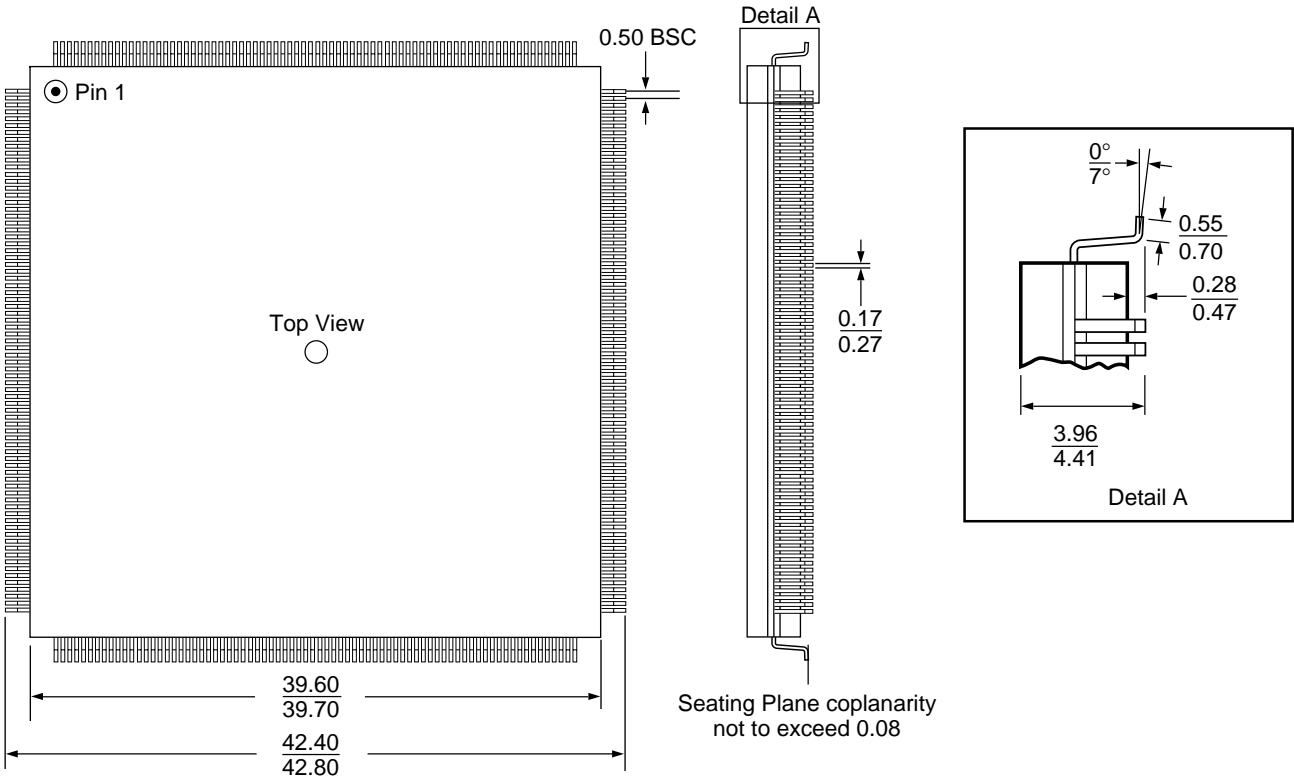
## 272-Ball BGA Package

Dimensions in Millimeters MIN. / MAX.



Seating Plane coplanarity not to exceed 0.15mm

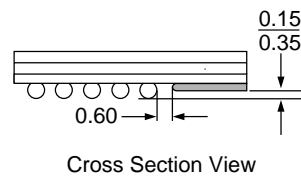
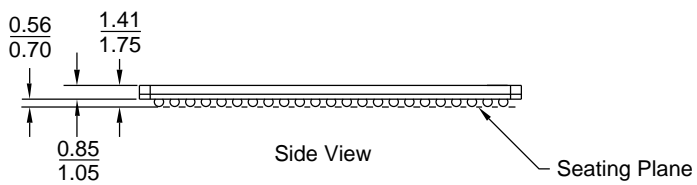
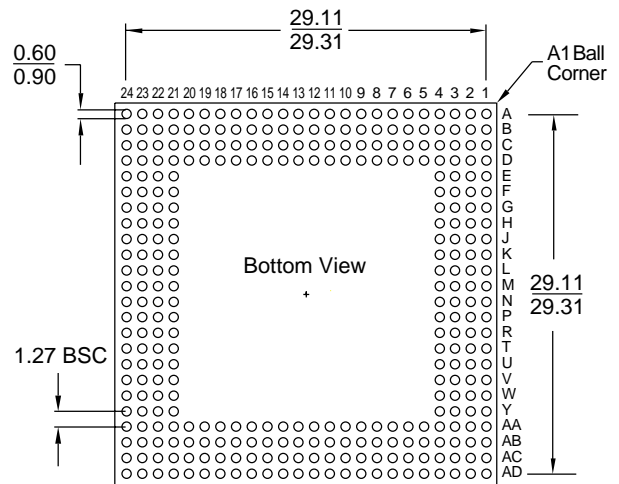
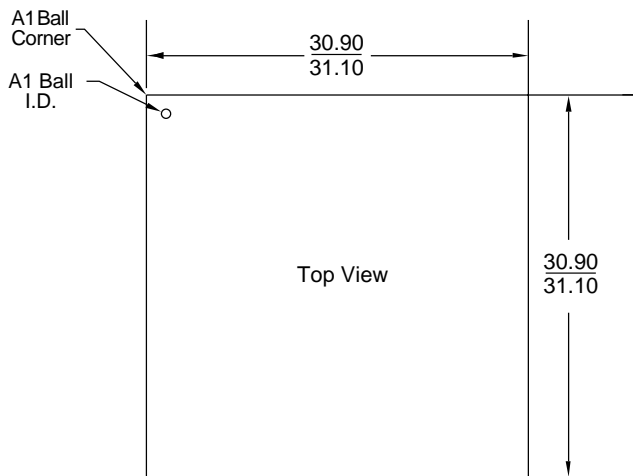
**304-Pin MQFP Package**  
Dimensions in Millimeters MIN. / MAX.



# Package Diagrams

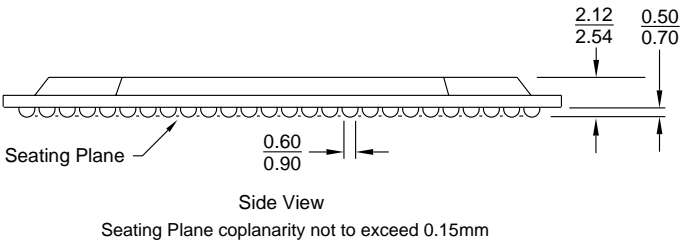
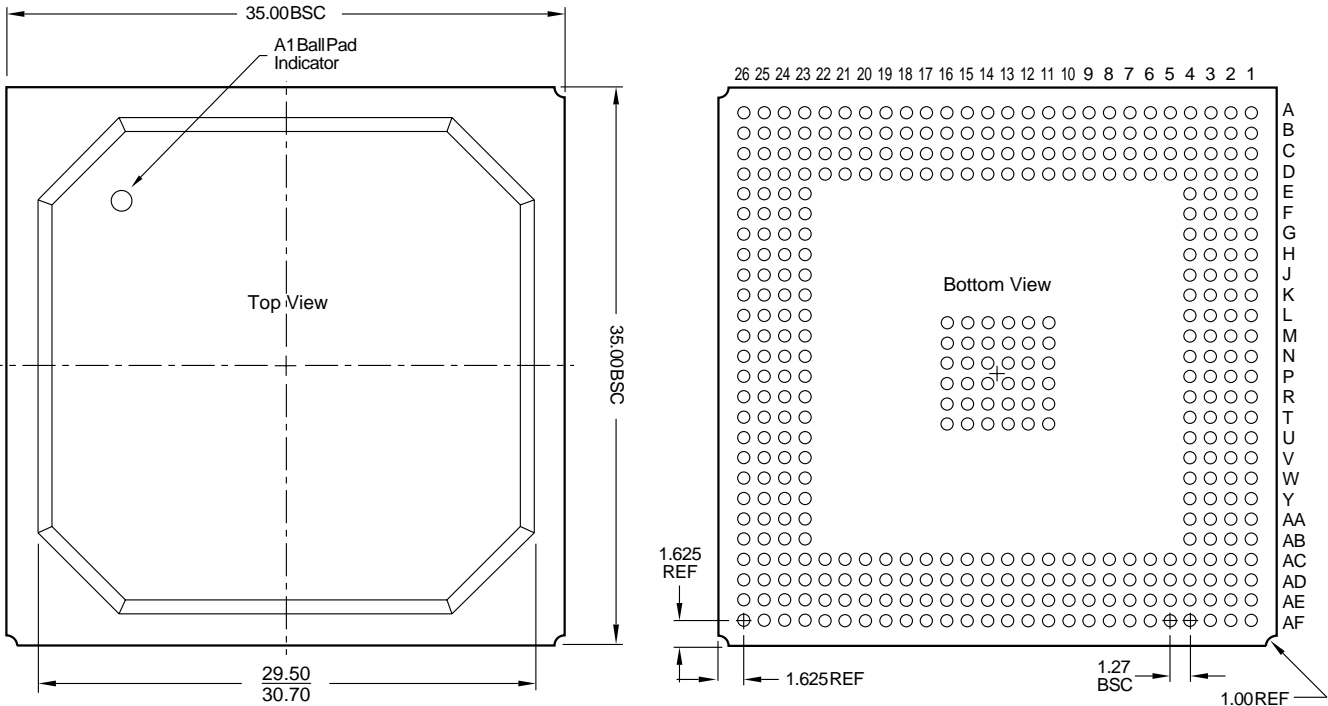
## 320-Ball BGA Package

Dimensions in Millimeters MIN. / MAX.



Seating Plane coplanarity not to exceed 0.15mm

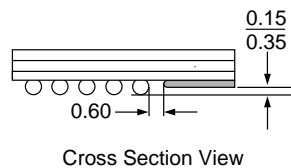
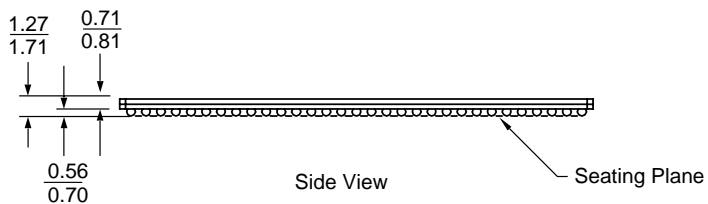
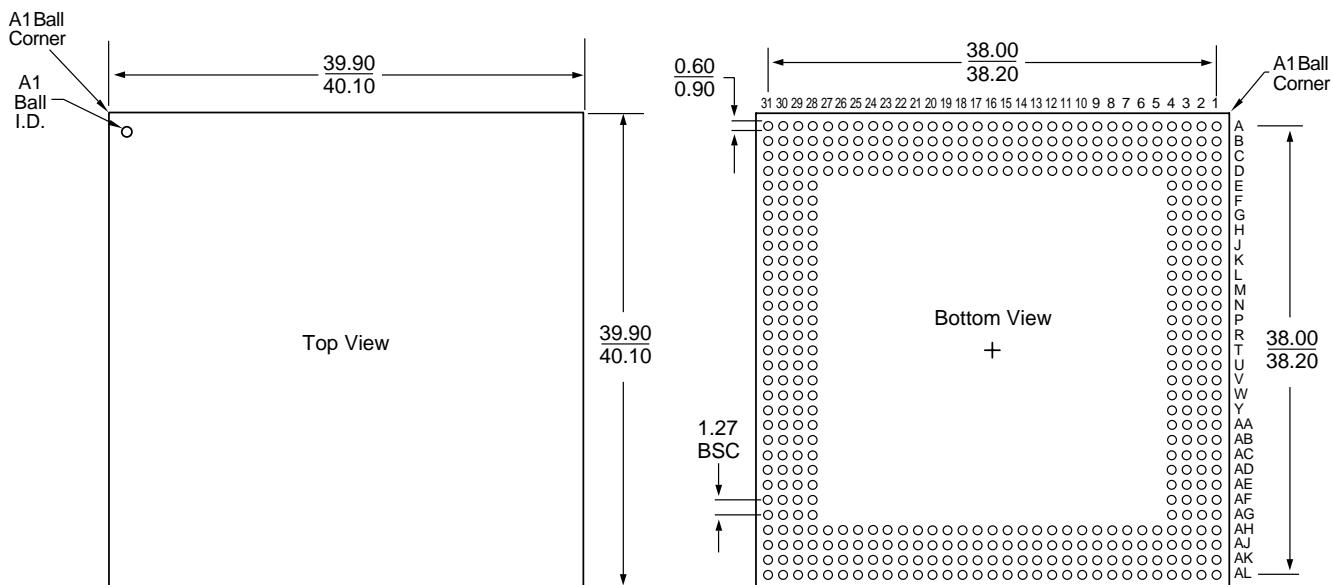
## 388-Ball BGA Package Dimensions in Millimeters MIN. / MAX.



# Package Diagrams

## 432-Ball BGA Package

Dimensions in Millimeters MIN. / MAX.



Seating Plane coplanarity not to exceed 0.15mm



## 492-Ball BGA Package

Dimensions in Millimeters MIN. / MAX.

