

Arquitectura de Computadores

Capítulo 5. Técnicas Avanzadas en Paralelismo. Parte 1.

**Based on the original material of the book:
D.A. Patterson y J.L. Hennessy “Computer Organization
and Design: The Hardware/Software Interface” 4th edition.**

**Escuela Politécnica Superior
Universidad Autónoma de Madrid**

Profesores:

G130 y 131: Iván González Martínez

CLASES PARTICULARES, TUTORÍAS TÉCNICAS ONLINE
LLAMA O ENVÍA WHATSAPP: 689 45 44 70

ONLINE PRIVATE LESSONS FOR SCIENCE STUDENTS
CALL OR WHATSAPP:689 45 44 70

Cartagena99

Instruction-Level Parallelism (ILP)

- Pipelining: executing multiple instructions in parallel
- To increase ILP
 - Deeper pipeline
 - Less work per stage \Rightarrow shorter clock cycle
 - Multiple issue
 - Replicate pipeline stages \Rightarrow multiple pipelines
 - Start multiple instructions per clock cycle
 - $CPI < 1$, so use Instructions Per Cycle (IPC)
 - E.g., 4GHz 4-way multiple-issue
 - 16 BIPS, peak $CPI = 0.25$, peak $IPC = 4$

Cartagena99

CLASES PARTICULARES, TUTORÍAS TÉCNICAS ONLINE
LLAMA O ENVÍA WHATSAPP: 689 45 44 70

ONLINE PRIVATE LESSONS FOR SCIENCE STUDENTS
CALL OR WHATSAPP:689 45 44 70

Multiple Issue

- Static multiple issue
 - Compiler groups instructions to be issued together
 - Packages them into “issue slots”
 - Compiler detects and avoids hazards
- Dynamic multiple issue
 - CPU examines instruction stream and chooses instructions to issue each cycle
 - Compiler can help by reordering instructions
 - CPU resolves hazards using advanced techniques at

runtime

Cartagena99

CLASES PARTICULARES, TUTORÍAS TÉCNICAS ONLINE
LLAMA O ENVÍA WHATSAPP: 689 45 44 70

- - -

ONLINE PRIVATE LESSONS FOR SCIENCE STUDENTS
CALL OR WHATSAPP:689 45 44 70

Data Dependency Risks

- Dependencies between two given instructions (i runs before j):
 - RAW (Read After Write): j tries to read a register before i writes it.
 - WAR (Write After Read): j writes a register before i reads it.
 - WAW (Write After Write): j writes a register before i has done it.

✓ Examples:

RAW

```
ADD r1, r2, r3
SUB r5, r1, r6
AND r6, r5, r1
ADD r4, r1, r3
SWI r10, 100(r1)
```

WAR

```
ADD r1, r2, r3
OR r3, r4, r5
```

WAW

```
DIV r1, r2, r3
AND r1, r4, r5
```

Cartagena99

CLASES PARTICULARES, TUTORÍAS TÉCNICAS ONLINE
LLAMA O ENVÍA WHATSAPP: 689 45 44 70

ONLINE PRIVATE LESSONS FOR SCIENCE STUDENTS
CALL OR WHATSAPP:689 45 44 70

Multiple Issue

- ❑ In-order issue and finish (just RAW)
- ❑ In-order issue and out-of-order finish (RAW and WAW)
- ❑ Out-of-order issue and finish (RAW, WAR and WAW)

Example: Superscalar system that issues 2 instructions per cycle.

Run the following program:

I1: ADDF R1,R2,R3 (2c)

I4: AND R10,R11,R12

I2: SUB R4,R5,R6

I5: SUB R13,R10,R14

Cartagena99

CLASES PARTICULARES, TUTORÍAS TÉCNICAS ONLINE
LLAMA O ENVÍA WHATSAPP: 689 45 44 70

ONLINE PRIVATE LESSONS FOR SCIENCE STUDENTS
CALL OR WHATSAPP:689 45 44 70

Multiple Issue

1.- In-order issue and finish.

I1: ADDF R1,R2,R3 (2c)

I2: SUB R4,R5,R6

I3: OR R7,R8,R9

I4: AND R10,R11,R12

I5: SUB R13,R10,R14

I6: ADD R15,R16,R17

Data forwarding.

2 instructions are always fetched at the same time and they finish at the same time. Also, they are executed at the same time unless some risk exists.

		T1	T2	T3	T4	T5	T6	T7	T8
DEC	DEC1	I1	I3	I3 ^D		I5			
	DEC2	I2	I4	I4 ^D	I4 ^D	I6	I6 ^D		
EXE	EJ1(+)		I2	I2 ^D			I5	I6	
	EJ2(+CF)		I1	I1					

CLASES PARTICULARES, TUTORÍAS TÉCNICAS ONLINE
 LLAMA O ENVIA WHATSAPP: 689 45 44 70

ONLINE PRIVATE LESSONS FOR SCIENCE STUDENTS
 CALL OR WHATSAPP:689 45 44 70



VWRZ

I2

I4

I6

Multiple Issue

2.- In-order issue and out-of-order finish.

- I1: ADDF R1,R2,R3 (2c)
- I2: SUB R4,R5,R6
- I3: OR R7,R8,R9
- I4: AND R10,R11,R12
- I5: SUB R13,R10,R14
- I6: ADD R15,R16,R17

Data forwarding.

2 instructions are always fetched at the same time.

Exception/interruption, old instructions have NOT finished and new instructions have finished.

What to do? What to repeat? Can the exception be attended immediately?

Solution: retire/commit in order (after finishing)

		T1	T2	T3	T4	T5	T6	T7
DEC	DEC1	I1	I3		I5			
	DEC2	I2	I4	I4 ^D	I6	I6 ^D		
EXE	EXJ1(+)		I2			I5	I6	
	EX2(+CF)		I1	I1				

CLASES PARTICULARES, TUTORÍAS TÉCNICAS ONLINE
LLAMA O ENVÍA WHATSAPP: 689 45 44 70

ONLINE PRIVATE LESSONS FOR SCIENCE STUDENTS
CALL OR WHATSAPP:689 45 44 70

Cartagena99

www.c

12

13

14

16

Multiple Issue

3.- Out-of-order issue and finish.

I1: ADDF R1,R2,R3 (2c)

I2: SUB R4,R5,R6

I3: OR R7,R8,R9

I4: AND R10,R11,R12

I5: SUB R13,R10,R14

I6: ADD R15,R16,R17

Data forwarding

Reservation stations

		T1	T2	T3	T4	T5	T6
DEC	DEC1	I1	I3	I5			
	DEC2	I2	I4	I6			
Reservation stations				I4	I5		
EX	EX1(+)		I2		I6	I5	
	EX2(+CF)		I1	I1			

Cartagena99

CLASES PARTICULARES, TUTORÍAS TÉCNICAS ONLINE
LLAMA O ENVÍA WHATSAPP: 689 45 44 70

ONLINE PRIVATE LESSONS FOR SCIENCE STUDENTS
CALL OR WHATSAPP:689 45 44 70

Static Multiple Issue

- Compiler groups instructions into “issue packets”
 - Group of instructions that can be issued on a single cycle
 - Determined by pipeline resources required
- Think of an issue packet as a very long instruction
 - Specifies multiple concurrent operations

Cartagena99

CLASES PARTICULARES, TUTORÍAS TÉCNICAS ONLINE
LLAMA O ENVÍA WHATSAPP: 689 45 44 70

ONLINE PRIVATE LESSONS FOR SCIENCE STUDENTS
CALL OR WHATSAPP:689 45 44 70

Scheduling Static Multiple Issue

- Compiler must remove some/all hazards
 - Reorder instructions into issue packets
 - No dependencies with a packet
 - Possibly some dependencies between packets
 - Varies between ISAs; compiler must know!
 - Pad with nop if necessary

Cartagena99

CLASES PARTICULARES, TUTORÍAS TÉCNICAS ONLINE
LLAMA O ENVIA WHATSAPP: 689 45 44 70

- - -

ONLINE PRIVATE LESSONS FOR SCIENCE STUDENTS
CALL OR WHATSAPP:689 45 44 70

MIPS with Static Dual Issue

- Two-issue packets
 - One ALU/branch instruction
 - One load/store instruction
 - 64-bit aligned
 - ALU/branch, then load/store
 - Pad an unused instruction with nop

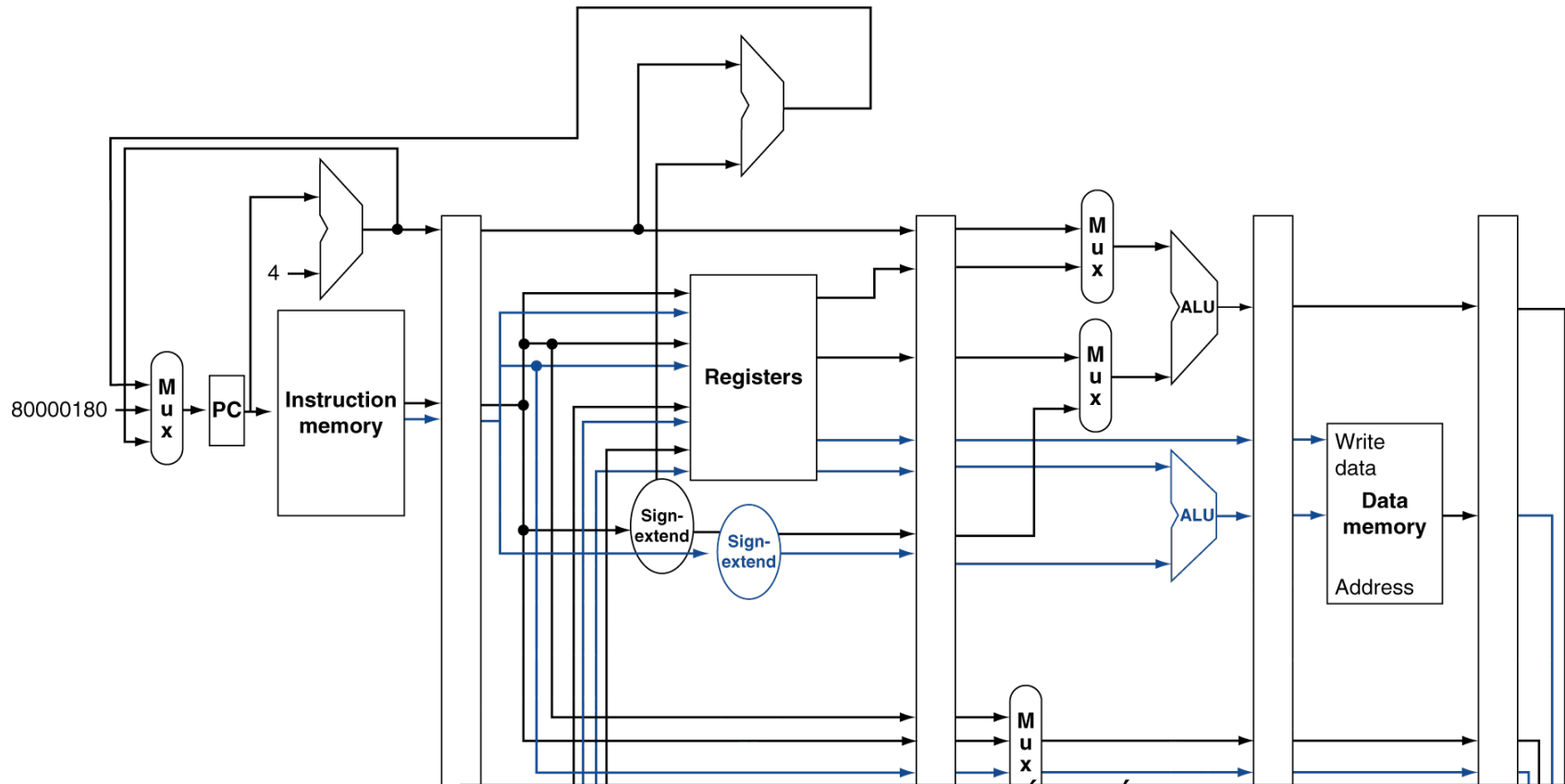
Address	Instruction type	Pipeline Stages						
n	ALU/branch	IF	ID	EX	MEM	WB		
n + 4	Load/store	IF	ID	EX	MEM	WB		
n + 8	ALU/branch		IF	ID	EX	MEM	WB	

Cartagena99

CLASES PARTICULARES, TUTORÍAS TÉCNICAS ONLINE
 LLAMA O ENVÍA WHATSAPP: 689 45 44 70

 ONLINE PRIVATE LESSONS FOR SCIENCE STUDENTS
 CALL OR WHATSAPP:689 45 44 70

MIPS with Static Dual Issue



CLASES PARTICULARES, TUTORIAS TÉCNICAS ONLINE
LLAMA O ENVIA WHATSAPP: 689 45 44 70

ONLINE PRIVATE LESSONS FOR SCIENCE STUDENTS
CALL OR WHATSAPP:689 45 44 70

Cartagena99

Hazards in the Dual-Issue MIPS

- More instructions executing in parallel
- EX data hazard
 - Forwarding avoided stalls with single-issue
 - Now can't use ALU result in load/store in same packet
 - add $\$t0$, $\$s0$, $\$s1$
 - Load $\$s2$, 0($\$t0$)
 - Split into two packets, effectively a stall
- Load-use hazard
 - Still one cycle use latency, but now two instructions
- More aggressive scheduling required

Cartagena99

CLASES PARTICULARES, TUTORIAS TECNICAS ONLINE
LLAMA O ENVIA WHATSAPP: 689 45 44 70

ONLINE PRIVATE LESSONS FOR SCIENCE STUDENTS
CALL OR WHATSAPP:689 45 44 70

Scheduling Example

- Schedule this for dual-issue MIPS

```

Loop:  lw    $t0, 0($s1)      # $t0=array element
      addu  $t0, $t0, $s2    # add scalar in $s2
      sw    $t0, 0($s1)      # store result
      addi  $s1, $s1, -4     # decrement pointer
      bne  $s1, $zero, Loop  # branch $s1!=0
  
```

for (i=n; i>0; i--)
 A[i] = A[i] + cte;



	ALU/branch	Load/store	cycle
Loop:	nop	lw \$t0, 0(\$s1)	1
	addi \$s1, \$s1, -4	nop	2
	addu \$t0, \$t0, \$s2	nop	3
	bne \$s1, \$zero, Loop	sw \$t0, 0(\$s1)	4

Cartagena99

CLASES PARTICULARES, TUTORIAS TECNICAS ONLINE
 LLAMA O ENVIA WHATSAPP: 689 45 44 70

ONLINE PRIVATE LESSONS FOR SCIENCE STUDENTS
 CALL OR WHATSAPP:689 45 44 70

Loop Unrolling

- Replicate loop body to expose more parallelism
 - Reduces loop-control overhead
- Use different registers per replication
 - Called “register renaming”
 - Avoid loop-carried “anti-dependencies”
 - Store followed by a load of the same register
 - Aka “name dependence”

Cartagena99

CLASES PARTICULARES, TUTORÍAS TÉCNICAS ONLINE
LLAMA O ENVÍA WHATSAPP: 689 45 44 70

ONLINE PRIVATE LESSONS FOR SCIENCE STUDENTS
CALL OR WHATSAPP:689 45 44 70

Loop Unrolling Example

	ALU/branch	Load/store	cycle
Loop:	addi \$s1, \$s1, -16	lw \$t0, 0(\$s1)	1
	nop	lw \$t1, 12(\$s1)	2
	addu \$t0, \$t0, \$s2	lw \$t2, 8(\$s1)	3
	addu \$t1, \$t1, \$s2	lw \$t3, 4(\$s1)	4
	addu \$t2, \$t2, \$s2	sw \$t0, 16(\$s1)	5
	addu \$t3, \$t3, \$s2	sw \$t1, 12(\$s1)	6
	nop	sw \$t2, 8(\$s1)	7
	bne \$s1, \$zero, Loop	sw \$t3, 4(\$s1)	8

■ $IPC = 14/8 = 1.75$

Cartagena99

CLASES PARTICULARES, TUTORÍAS TÉCNICAS ONLINE
LLAMA O ENVÍA WHATSAPP: 689 45 44 70

ONLINE PRIVATE LESSONS FOR SCIENCE STUDENTS
CALL OR WHATSAPP:689 45 44 70

$A[i] = A[i] + cte;$

$A[i] = A[i] + cte; A[i-1] = A[i-1] + cte;$

$A[i] = A[i] + cte; A[i-1] = A[i-1] + cte; A[i-2] = A[i-2] + cte; }$

Dynamic Multiple Issue

- “Superscalar” processors
- CPU decides whether to issue 0, 1, 2, ... each cycle
 - Avoiding structural and data hazards
- Avoids the need for compiler scheduling
 - Though it may still help
 - Code semantics ensured by the CPU

Cartagena99

CLASES PARTICULARES, TUTORÍAS TÉCNICAS ONLINE
LLAMA O ENVÍA WHATSAPP: 689 45 44 70

ONLINE PRIVATE LESSONS FOR SCIENCE STUDENTS
CALL OR WHATSAPP:689 45 44 70

Dynamic Pipeline Scheduling

- Allow the CPU to execute instructions out of order to avoid stalls
 - But commit result to registers in order
- Example

```
lw      $t0, 20($s2)
addu   $t1, $t0, $t2
sub    $s4, $s4, $t3
slti   $t5, $s4, 20
```

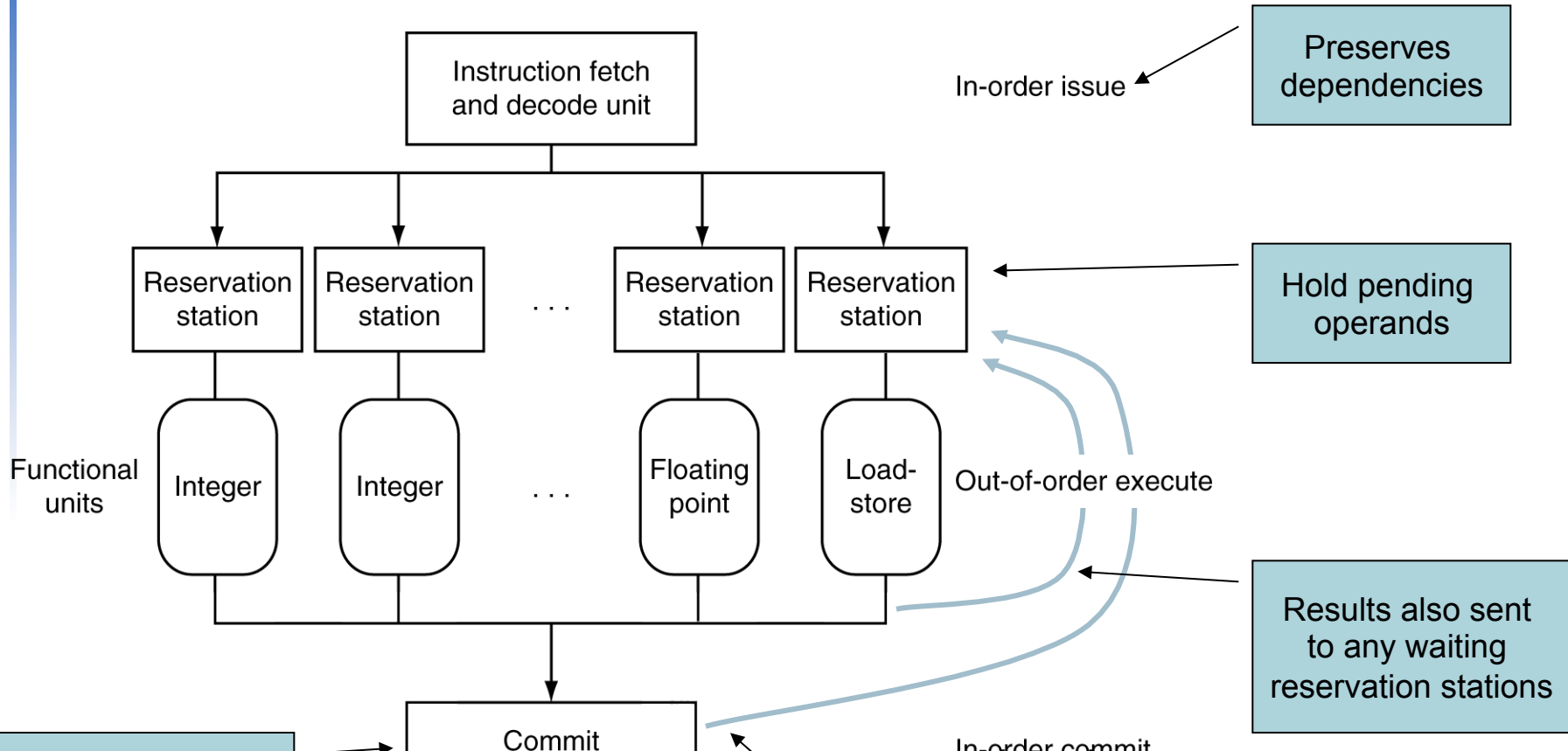
Can start sub while addu is waiting for lw

Cartagena99

CLASES PARTICULARES, TUTORIAS TECNICAS ONLINE
LLAMA O ENVIA WHATSAPP: 689 45 44 70

ONLINE PRIVATE LESSONS FOR SCIENCE STUDENTS
CALL OR WHATSAPP:689 45 44 70

Dynamically Scheduled CPU

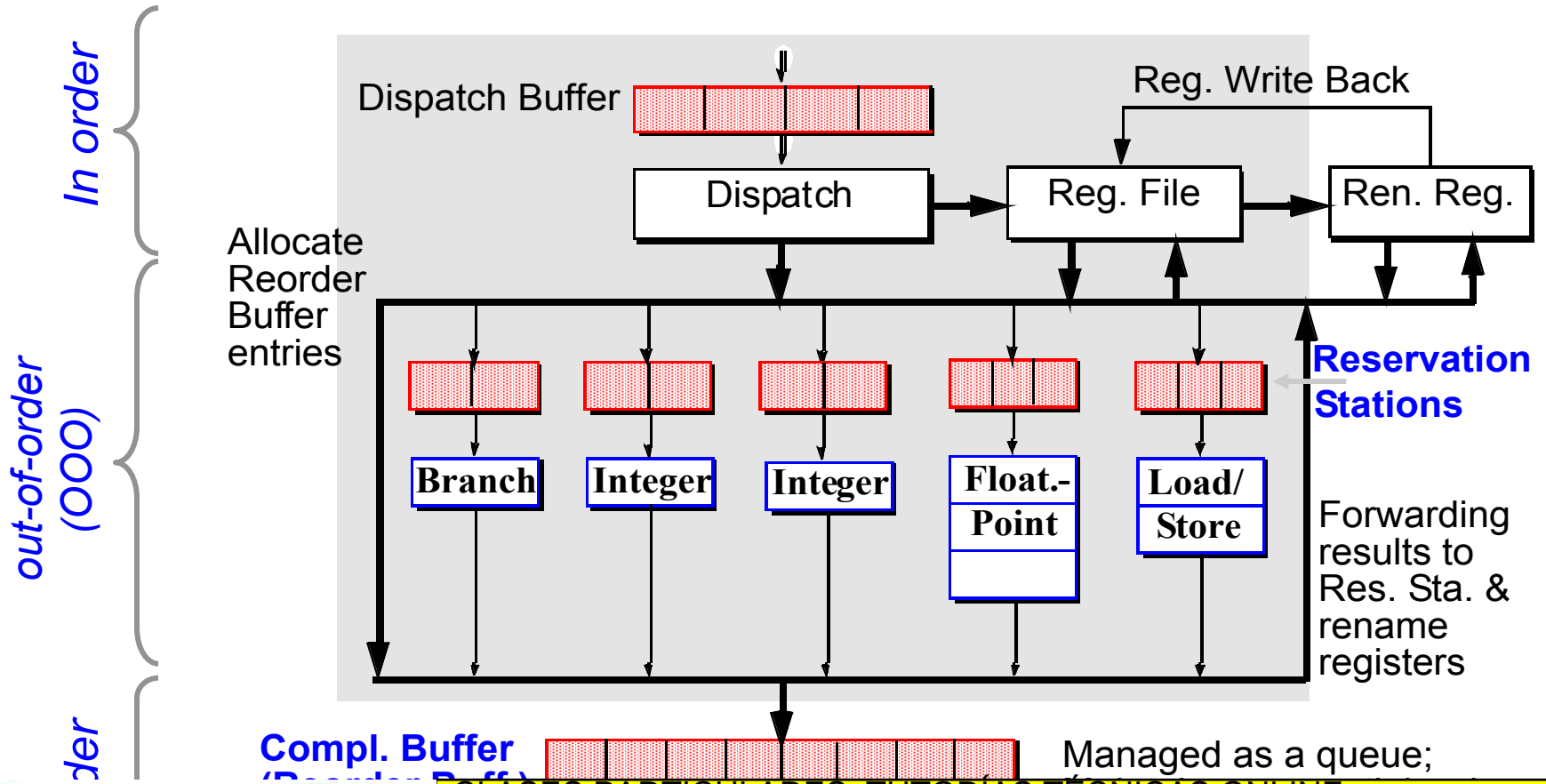


CLASES PARTICULARES, TUTORIAS TECNICAS ONLINE
LLAMA O ENVIA WHATSAPP: 689 45 44 70

ONLINE PRIVATE LESSONS FOR SCIENCE STUDENTS
CALL OR WHATSAPP:689 45 44 70

Cartagena99

Reordering buffer



Cartagena99

CLASES PARTICULARES, TUTORIAS TÉCNICAS ONLINE
LLAMA O ENVIA WHATSAPP: 689 45 44 70

ONLINE PRIVATE LESSONS FOR SCIENCE STUDENTS
CALL OR WHATSAPP:689 45 44 70

Register Renaming

- Reservation stations and reordering buffer effectively provide register renaming.
- On instruction issue to reservation station:
 - If operand is available in register file or reorder buffer:
 - Copied to reservation station.
 - No longer required in the register; can be overwritten.
 - If operand is not yet available:
 - It will be provided to the reservation station by a

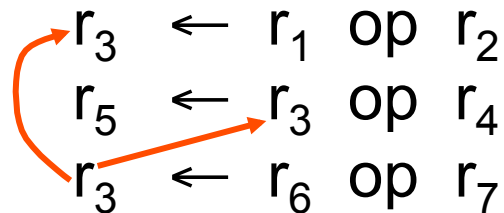
Cartagena99

CLASES PARTICULARES, TUTORIAS TECNICAS ONLINE
LLAMA O ENVIA WHATSAPP: 689 45 44 70

ONLINE PRIVATE LESSONS FOR SCIENCE STUDENTS
CALL OR WHATSAPP:689 45 44 70

Register Renaming

WAR and WAW are false dependencies.



Original

r1 \leftarrow r2 / r3

r4 \leftarrow r1 * r5

Renaming

r11 \leftarrow r2 / r3

r14 \leftarrow r11 * r5

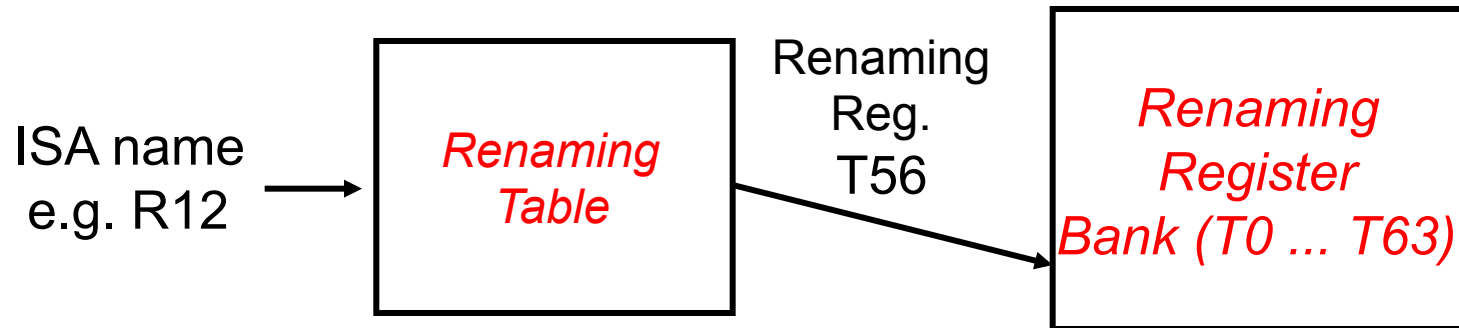


Cartagena99

CLASES PARTICULARES, TUTORÍAS TÉCNICAS ONLINE
LLAMA O ENVIA WHATSAPP: 689 45 44 70

ONLINE PRIVATE LESSONS FOR SCIENCE STUDENTS
CALL OR WHATSAPP:689 45 44 70

Register Renaming



- Pointer between ISA register and renaming registers.
- Instruction issued that writes a Dest. Reg. RD:
 - Reserve a renaming register not in use TX.
 - Register the RD and TX link.
- Unit Control decides:
 - When the link is removed.

$R1 \leftarrow R2 / R3$

$R4 \leftarrow R1 * R5$

Cartagena99

CLASES PARTICULARES, TUTORÍAS TÉCNICAS ONLINE
LLAMA O ENVÍA WHATSAPP: 689 45 44 70

ONLINE PRIVATE LESSONS FOR SCIENCE STUDENTS
CALL OR WHATSAPP:689 45 44 70

Buffer de renombramiento con acceso asociativo

Búsqueda asociativa por número de registro=3 (R3)

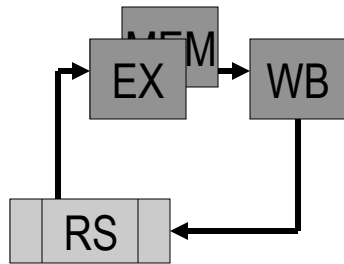
Asignación Válida	Registro destino	Contenido del registro	Contenido válido	Bit de última asignación
0	→ 7	67	1	1
1	→ 2	102	1	0
1	→ 3	23	1	1
1	→ 2	22	0	1
...	...			

Cartagena99

CLASES PARTICULARES, TUTORÍAS TÉCNICAS ONLINE
LLAMA O ENVÍA WHATSAPP: 689 45 44 70

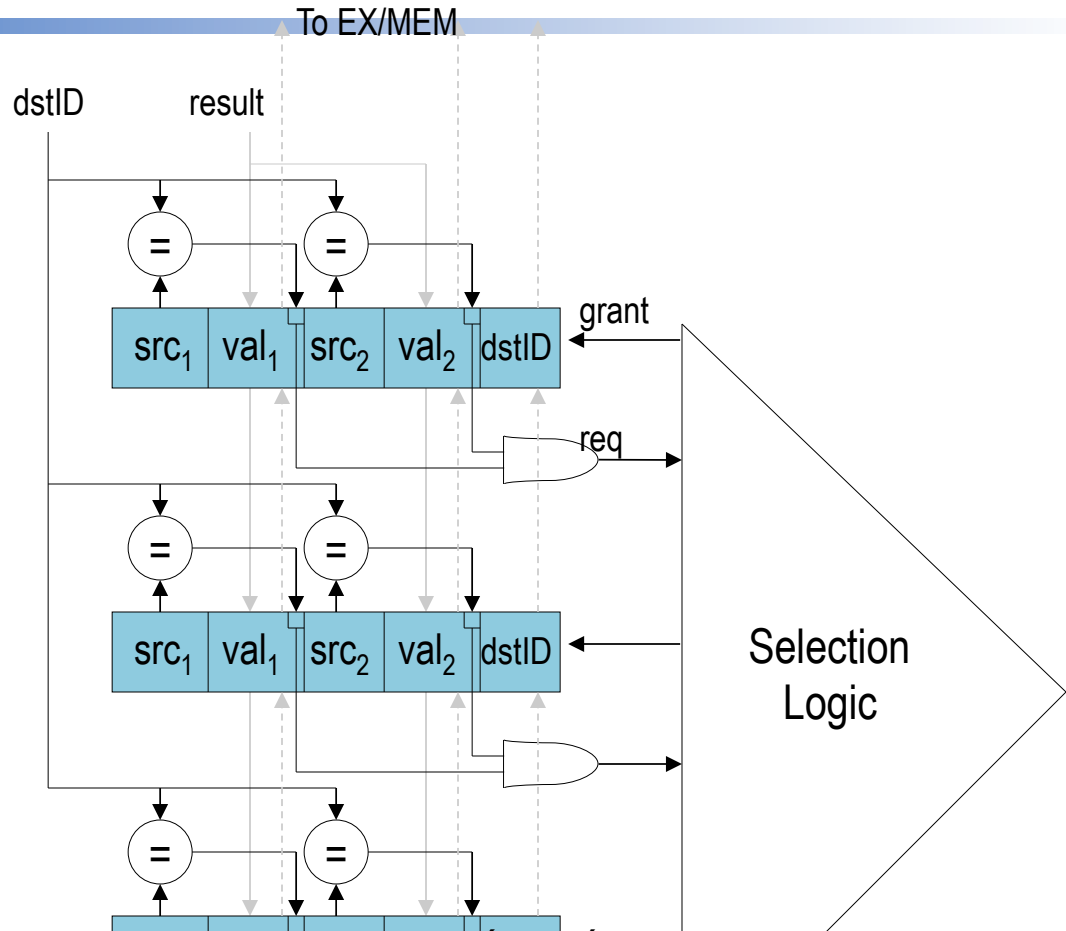
ONLINE PRIVATE LESSONS FOR SCIENCE STUDENTS
CALL OR WHATSAPP:689 45 44 70

Funcionamiento de las estaciones de reserva



Si el registro destino (dstID) coincide con uno de los operandos se actualiza la estación de reserva

Cuando ambos operandos están



CLASES PARTICULARES, TUTORIAS TÉCNICAS ONLINE
LLAMA O ENVIA WHATSAPP: 689 45 44 70

ONLINE PRIVATE LESSONS FOR SCIENCE STUDENTS
CALL OR WHATSAPP:689 45 44 70

Cartagena99

Reordering Buffer

- **Reordering buffer (ROB): As a circle FIFO.**
 - ROB entries are reserved in dispatch/issue and are removed after commit.
 - When an instruction finishes the execution step, updates its state in its entry in ROB.
 - Within the execution, the renaming registers are used.
- **Aim: ROB maintains the original order of the instructions in the program (before issue/dispatch) and allows the instructions finish in order.**

Cartagena99

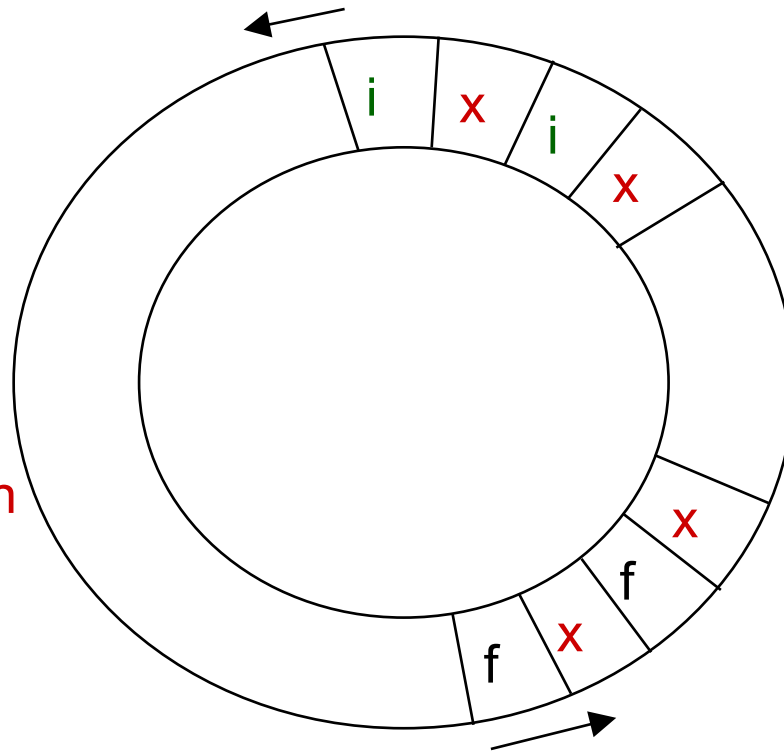
CLASES PARTICULARES, TUTORÍAS TÉCNICAS ONLINE
LLAMA O ENVÍA WHATSAPP: 689 45 44 70

- - -

ONLINE PRIVATE LESSONS FOR SCIENCE STUDENTS
CALL OR WHATSAPP:689 45 44 70

Reordering buffer

Instructions entrance



Knows in which step each instruction is.

i: issued
x: in execution
f: finished

Cartagena99

CLASES PARTICULARES, TUTORÍAS TÉCNICAS ONLINE
LLAMA O ENVÍA WHATSAPP: 689 45 44 70

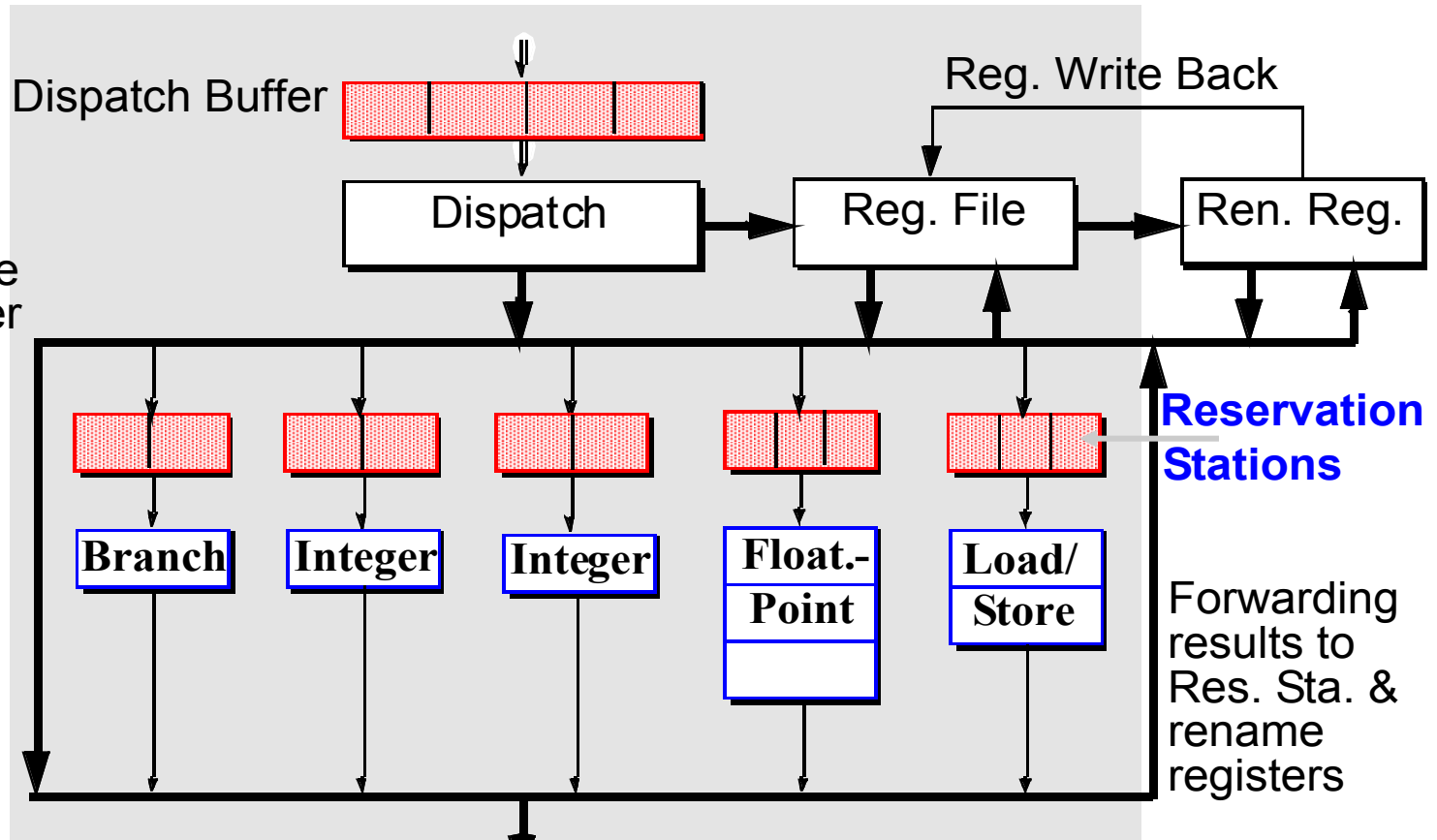
ONLINE PRIVATE LESSONS FOR SCIENCE STUDENTS
CALL OR WHATSAPP:689 45 44 70

Superescalar Datapath

En-orden

Fuera de orden

out-of-order (OOO)



CLASES PARTICULARES, TUTORÍAS TÉCNICAS ONLINE
 LLAMA O ENVIA WHATSAPP: 689 45 44 70

 ONLINE PRIVATE LESSONS FOR SCIENCE STUDENTS
 CALL OR WHATSAPP:689 45 44 70

Cartagena99

standing - completion)

Ejemplo: Pasos para la ejecución con planificación dinámica

■ Despacho (DISPATCH):

- Leer operandos del banco de registros (Arch. Reg. File -ARF) y/o el banco de registros de renombrado (Rename Register File-RRF)
 - *(RRF devuelve el valor de una etiqueta.)*
- Reservar entrada en RRF y renombrar el registro destino
- Reservar entrada en Buffer de Reordenamiento (ROB)
- Avanzar la instrucción a la estación de reserva (RS) apropiada

■ Ejecución (EXECUTE):

- Entradas de RS monitorean el bus de resultados en busca de etiquetas de registros renombrados para capturar operandos pendientes.
- Cuando todos los operandos están listos, se emite la instrucción a la UF y se libera la entrada de la estación de reserva (ejecución segmentada sin paradas)
- Cuando la ejecución termina, difunde el resultado a entradas que esperen de RS y RRF.

■ Finalización (COMPLETE):

- Cuando este listo a finalizar (commit) en orden:

Cartagena99

CLASES PARTICULARES, TUTORÍAS TÉCNICAS ONLINE
LLAMA O ENVÍA WHATSAPP: 689 45 44 70

ONLINE PRIVATE LESSONS FOR SCIENCE STUDENTS
CALL OR WHATSAPP:689 45 44 70

Buffer de renombramiento con estaciones de reserva

I1: MULT R3 R1 R2
 I2: ADD R4 R2 R3
 I3: SUB R3 R5 R2

Banco de Registros

R1	10
R2	22
R3	30
R4	40
R5	50
...	...

BUFFER DE RENOMBAMIENTO

dstID	A.Val.	RDest	Valor	Valido	Ult
BR1	0				
BR2	0				
BR3	0				
BR4	0				
BR5	0				
...					

BUFFER de Reordenación

Instr	etapa	dstID

ESTACIONES DE RESERVA

Func	Op1	Tag1	Op2	Tag2	dstID

ESTACIONES DE RESERVA

Func	Op1	Tag1	Op2	Tag2	dstID



CLASES PARTICULARES, TUTORÍAS TÉCNICAS ONLINE
 LLAMA O ENVÍA WHATSAPP: 689 45 44 70

ONLINE PRIVATE LESSONS FOR SCIENCE STUDENTS
 CALL OR WHATSAPP:689 45 44 70



Buffer de renombramiento con estaciones de reserva

Ciclo i (Emisión de I1)

I1: MULT R3 R1 R2
 I2: ADD R4 R2 R3
 I3: SUB R3 R5 R2

Banco de
Registros

R1	10
R2	22
R3	30
R4	40
R5	50
...	...

BUFFER DE RENOMBRAMIENTO

dstID	A.Val.	RDest	Valor	Valido	Ult
BR1	1	R3	--	0	1
BR2	0				
BR3	0				
BR4	0				
BR5	0				
...

BUFFER de Reordenación

Instr	etapa	dstID
I1: MULT R3	i	BR1

ESTACIONES DE RESERVA

Func	Op1	Tag1	Op2	Tag2	dstID

ESTACIONES DE RESERVA

Func	Op1	Tag1	Op2	Tag2	dstID
MUL	10	0	22	0	BR1



CLASES PARTICULARES, TUTORÍAS TÉCNICAS ONLINE
 LLAMA O ENVÍA WHATSAPP: 689 45 44 70

ONLINE PRIVATE LESSONS FOR SCIENCE STUDENTS
 CALL OR WHATSAPP:689 45 44 70

Cartagena99

Buffer de renombramiento con estaciones de reserva

Ciclo i + 1 (Emisión de I2)

I1: MULT R3 R1 R2
 I2: ADD R4 R2 R3
 I3: SUB R3 R5 R2

Banco de
Registros

R1	10
R2	22
R3	30
R4	40
R5	50
...	...

BUFFER DE RENOMBRAMIENTO

dstID	A.Val.	RDest	Valor	Valido	Ult
BR1	1	R3	--	0	1
BR2	1	R4	--	0	1
BR3	0				
BR4	0				
BR5	0				
...

BUFFER de Reordenación

Instr	etapa	dstID
I1: MULT R3..	x (1)	BR1
I2: ADD R4..	i	BR2

ESTACIONES DE RESERVA

Func	Op1	Tag1	Op2	Tag2	dstID
ADD	22	0	--	BR1	BR2

ESTACIONES DE RESERVA

Func	Op1	Tag1	Op2	Tag2	dstID
(1c)Mul	10	0	22	0	BR1



CLASES PARTICULARES, TUTORÍAS TÉCNICAS ONLINE
 LLAMA O ENVÍA WHATSAPP: 689 45 44 70

ONLINE PRIVATE LESSONS FOR SCIENCE STUDENTS
 CALL OR WHATSAPP:689 45 44 70

Cartagena99

Buffer de renombramiento con estaciones de reserva

Ciclo $i + 2$ (Emisión de I3)

I1: MULT R3 R1 R2
 I2: ADD R4 R2 R3
 I3: SUB R3 R5 R2

*Banco de
Registros*

R1	10
R2	22
R3	30
R4	40
R5	50
...	...

BUFFER DE RENOMBRAMIENTO

dstID	A.Val.	RDest	Valor	Valido	Ult
BR1	1	R3	--	0	0
BR2	1	R4	--	0	1
BR3	1	R3	--	0	1
BR4	0				
BR5	0				
...

BUFFER de Reordenación

Instr	etapa	dstID
I1: MULT R3..	x (2)	BR1
I2: ADD R4..	i	BR2
I3: SUB R3..	i	BR3

ESTACIONES DE RESERVA

Func	Op1	Tag1	Op2	Tag2	dstID
ADD	22	0	--	BR1	BR2
SUB	50	0	22	0	BR3

ESTACIONES DE RESERVA

Func	Op1	Tag1	Op2	Tag2	dstID
(2c)Mul	10	0	22	0	BR1



Cartagena99

CLASES PARTICULARES, TUTORÍAS TÉCNICAS ONLINE
 LLAMA O ENVÍA WHATSAPP: 689 45 44 70

ONLINE PRIVATE LESSONS FOR SCIENCE STUDENTS
 CALL OR WHATSAPP:689 45 44 70

Buffer de renombramiento con estaciones de reserva

Ciclo i +3 (Empieza ejecución de I3 antes que I2)

I1: MULT R3 R1 R2
 I2: ADD R4 R2 R3
 I3: SUB R3 R5 R2

Banco de
Registros

R1	10
R2	22
R3	30
R4	40
R5	50
...	...

BUFFER DE RENOMBRAMIENTO

dstID	A.Val.	RDest	Valor	Valido	Ult
BR1	1	R3	--	0	0
BR2	1	R4	--	0	1
BR3	1	R3	--	0	1
BR4	0				
BR5	0				
...

BUFFER de Reordenación

Instr	etapa	dstID
I1: MULT R3..	x (3)	BR1
I2: ADD R4..	i	BR2
I3: SUB R3..	x(1)	BR3

ESTACIONES DE RESERVA

Func	Op1	Tag1	Op2	Tag2	dstID
ADD	22	0	--	BR1	BR2
(1c)SUB	50	0	22	0	BR3

ESTACIONES DE RESERVA

Func	Op1	Tag1	Op2	Tag2	dstID
(3c)Mul	10	0	22	0	BR1



Cartagena99

CLASES PARTICULARES, TUTORÍAS TÉCNICAS ONLINE
 LLAMA O ENVÍA WHATSAPP: 689 45 44 70

ONLINE PRIVATE LESSONS FOR SCIENCE STUDENTS
 CALL OR WHATSAPP:689 45 44 70

Buffer de renombramiento con estaciones de reserva

Ciclo i +5 (Acaba de finalizar la ejecución de I3)

I1: MULT R3 R1 R2
 I2: ADD R4 R2 R3
 I3: SUB R3 R5 R2

BUFFER de Reordenación

Instr	etapa	dstID
I1: MULT R3..	x (5)	BR1
I2: ADD R4..	i	BR2
I3: SUB R3..	f	BR3

Banco de Registros

R1	10
R2	22
R3	30
R4	40
R5	50
...	...

BUFFER DE RENOMBRAMIENTO

dstID	A.Val.	RDest	Valor	Valido	Ult
BR1	1	R3	--	0	0
BR2	1	R4	--	0	1
BR3	1	R3	28	1	1
BR4	0				
BR5	0				
...

ESTACIONES DE RESERVA

Func	Op1	Tag1	Op2	Tag2	dstID
ADD	22	0	--	BR1	BR2
(f)SUB	50	0	22	0	BR3

ESTACIONES DE RESERVA

Func	Op1	Tag1	Op2	Tag2	dstID
(5c)Mul	10	0	22	0	BR1



CLASES PARTICULARES, TUTORÍAS TÉCNICAS ONLINE
 LLAMA O ENVIA WHATSAPP: 689 45 44 70

ONLINE PRIVATE LESSONS FOR SCIENCE STUDENTS
 CALL OR WHATSAPP:689 45 44 70

Cartagena99

Buffer de renombramiento con estaciones de reserva

Ciclo i +6 (Acaba de finalizar la ejecución de I1)

I1: MULT R3 R1 R2
 I2: ADD R4 R2 R3
 I3: SUB R3 R5 R2

Banco de
Registros

R1	10
R2	22
R3	30
R4	40
R5	50
...	...

BUFFER DE RENOMBRAMIENTO

dstID	A.Val.	RDest	Valor	Valido	Ult
BR1	1	R3	220	1	0
BR2	1	R4	--	0	1
BR3	1	R3	28	1	1
BR4	0				
BR5	0				
...

BUFFER de Reordenación

Instr	etapa	dstID
I1: MULT R3..	f	BR1
I2: ADD R4..	i	BR2
I3: SUB R3..	f	BR3

ESTACIONES DE RESERVA

Func	Op1	Tag1	Op2	Tag2	dstID
ADD	22	0	220	0	BR2

ESTACIONES DE RESERVA

Func	Op1	Tag1	Op2	Tag2	dstID
(f)Mul	10	0	22	0	BR1



CLASES PARTICULARES, TUTORÍAS TÉCNICAS ONLINE
 LLAMA O ENVIA WHATSAPP: 689 45 44 70

ONLINE PRIVATE LESSONS FOR SCIENCE STUDENTS
 CALL OR WHATSAPP:689 45 44 70



Buffer de renombramiento con estaciones de reserva

Ciclo i +7 (Sale de ROB I1)

I1: MULT R3 R1 R2
 I2: ADD R4 R2 R3
 I3: SUB R3 R5 R2

Banco de
Registros

R1	10
R2	22
R3	220
R4	40
R5	50
...	...

BUFFER de Reordenación

Instr	etapa	dstID
Sale MULT R3..		BR1
I2: ADD R4..	X(1)	BR2
I3: SUB R3..	f	BR3

BUFFER DE RENOMBRAMIENTO

dstID	A.Val.	RDest	Valor	Valido	Ult
BR1	0	R3	220	1	0
BR2	1	R4	--	0	1
BR3	1	R3	28	1	1
BR4	0				
BR5	0				
...

ESTACIONES DE RESERVA

Func	Op1	Tag1	Op2	Tag2	dstID
(1c)ADD	22	0	220	0	BR2

ESTACIONES DE RESERVA

Func	Op1	Tag1	Op2	Tag2	dstID



CLASES PARTICULARES, TUTORÍAS TÉCNICAS ONLINE
 LLAMA O ENVIA WHATSAPP: 689 45 44 70

ONLINE PRIVATE LESSONS FOR SCIENCE STUDENTS
 CALL OR WHATSAPP:689 45 44 70

Cartagena99

Buffer de renombramiento con estaciones de reserva

Ciclo i +9 (Acaba de finalizar la ejecución de I3)

I1: MULT R3 R1 R2
 I2: ADD R4 R2 R3
 I3: SUB R3 R5 R2

Banco de
Registros

R1	10
R2	22
R3	220
R4	40
R5	50
...	...

BUFFER de Reordenación

Instr	etapa	dstID
I2: ADD R4..	f	BR2
I3: SUB R3..	f	BR3

BUFFER DE RENOMBRAMIENTO

dstID	A.Val.	RDest	Valor	Valido	Ult
BR1	0				
BR2	1	R4	242	1	1
BR3	1	R3	28	1	1
BR4	0				
BR5	0				
...

ESTACIONES DE RESERVA

Func	Op1	Tag1	Op2	Tag2	dstID
(f)ADD	22	0	220	0	BR2

ESTACIONES DE RESERVA

Func	Op1	Tag1	Op2	Tag2	dstID



CLASES PARTICULARES, TUTORÍAS TÉCNICAS ONLINE
 LLAMA O ENVIA WHATSAPP: 689 45 44 70

ONLINE PRIVATE LESSONS FOR SCIENCE STUDENTS
 CALL OR WHATSAPP:689 45 44 70

Cartagena99

Buffer de renombramiento con estaciones de reserva

Ciclo $i + 10$ (se retiran del ROB I2 e I3 en orden)

I1: MULT R3 R1 R2
 I2: ADD R4 R2 R3
 I3: SUB R3 R5 R2

Banco de Registros

R1	10
R2	22
R3	28
R4	242
R5	50
...	...

BUFFER DE RENOMBRAMIENTO

dstID	A.Val.	RDest	Valor	Valido	Ult
BR1	0				
BR2	0	R4	242	1	1
BR3	0	R3	28	1	1
BR4	0				
BR5	0				
...

BUFFER de Reordenación

Instr	etapa	dstID
Sale I2: ADD R4..		BR2
Sale I3: SUB R3..		BR3

ESTACIONES DE RESERVA

Func	Op1	Tag1	Op2	Tag2	dstID

ESTACIONES DE RESERVA

Func	Op1	Tag1	Op2	Tag2	dstID



CLASES PARTICULARES, TUTORÍAS TÉCNICAS ONLINE
 LLAMA O ENVÍA WHATSAPP: 689 45 44 70

ONLINE PRIVATE LESSONS FOR SCIENCE STUDENTS
 CALL OR WHATSAPP:689 45 44 70

Cartagena99

Speculation

- “Guess” what to do with an instruction
 - Start operation as soon as possible
 - Check whether guess was right
 - If so, complete the operation
 - If not, roll-back and do the right thing
- Common to static and dynamic multiple issue
- Examples
 - Speculate on branch outcome
 - Roll back if path taken is different
 - Speculate on load

Cartagena99

CLASES PARTICULARES, TUTORÍAS TÉCNICAS ONLINE
LLAMA O ENVÍA WHATSAPP: 689 45 44 70

- - -

ONLINE PRIVATE LESSONS FOR SCIENCE STUDENTS
CALL OR WHATSAPP:689 45 44 70

Compiler/Hardware Speculation

- Compiler can reorder instructions
 - e.g., move load before branch
 - Can include “fix-up” instructions to recover from incorrect guess
- Hardware can look ahead for instructions to execute
 - Buffer results until it determines they are actually needed

Cartagena99

CLASES PARTICULARES, TUTORÍAS TÉCNICAS ONLINE
LLAMA O ENVÍA WHATSAPP: 689 45 44 70

ONLINE PRIVATE LESSONS FOR SCIENCE STUDENTS
CALL OR WHATSAPP:689 45 44 70

Speculation and Exceptions

- What if exception occurs on a speculatively executed instruction?
 - e.g., speculative load before null-pointer check
- Static speculation
 - Can add ISA support for deferring exceptions
- Dynamic speculation
 - Can buffer exceptions until instruction completion (which may not occur)

Cartagena99

CLASES PARTICULARES, TUTORÍAS TÉCNICAS ONLINE
LLAMA O ENVÍA WHATSAPP: 689 45 44 70

ONLINE PRIVATE LESSONS FOR SCIENCE STUDENTS
CALL OR WHATSAPP:689 45 44 70

Interruptions and exceptions

Where does the processor stop?

i: $R4 \leftarrow R0 \text{ op } R8$

j: $R2 \leftarrow R0 \text{ op } R4$;Exception!

k: $R4 \leftarrow R0 \text{ op } R8$

l: $R8 \leftarrow R4 \text{ op } R8$

If j is running and k has already written R4.
How to recover R4 before the exception?

;;PROBLEM!!

=> Buffer to maintain the “in-order”.

Cartagena99

CLASES PARTICULARES, TUTORÍAS TÉCNICAS ONLINE
LLAMA O ENVÍA WHATSAPP: 689 45 44 70

ONLINE PRIVATE LESSONS FOR SCIENCE STUDENTS
CALL OR WHATSAPP:689 45 44 70

ROB: Exception/interruption management

State of the instructions
when the interruption/exception
occurs.

- Finish
- Running
- Not issued



Have
“finished” (“commit”).
Results are in the ARF
(Arch. Reg. File) or in
data memory.
So everything the
program had to do
before these
instructions have been
done (and updated)
when the interruption/
exception occurs.

CLASES PARTICULARES, TUTORÍAS TÉCNICAS ONLINE
LLAMA O ENVIA WHATSAPP: 689 45 44 70
- - -
ONLINE PRIVATE LESSONS FOR SCIENCE STUDENTS
CALL OR WHATSAPP:689 45 44 70

Cartagena99

Branch and load speculation

- Predict branch and continue issuing
 - Don't commit until branch outcome determined
- Load speculation
 - Avoid load and cache miss delay
 - Predict the effective address
 - Predict loaded value
 - Load before completing outstanding stores
 - Bypass stored values to load unit

Cartagena99

CLASES PARTICULARES, TUTORIAS TECNICAS ONLINE
LLAMA O ENVIA WHATSAPP: 689 45 44 70

ONLINE PRIVATE LESSONS FOR SCIENCE STUDENTS
CALL OR WHATSAPP:689 45 44 70

Branch prediction: 2 or N levels

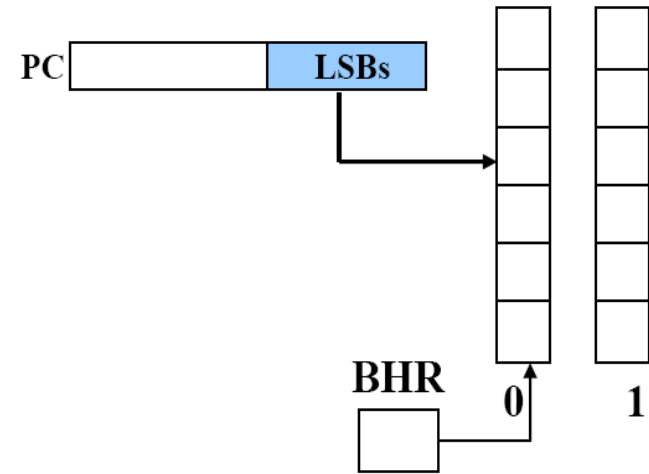
Take into account correlation between branches.

Predictor (1,1):

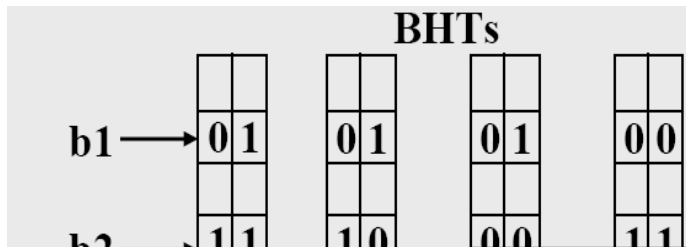
- Store the prediction of the current branch based on the last one.
- 2 BHTs are needed.

BHR (Branch History Register) contains 1 bit, indicating the state of the last branch (0=NE, 1=E).

What we have seen before is predictor(0,1) y predictor(0,2)



Predictor (2,2):



Predictor (m,n):

- Uses the information of the m last branches.
- 2^m BHTs of n bits are needed.

BHR (Branch History Register) is a shift

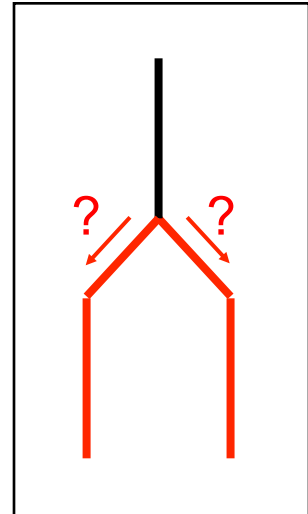
CLASES PARTICULARES, TUTORÍAS TÉCNICAS ONLINE
LLAMA O ENVÍA WHATSAPP: 689 45 44 70

ONLINE PRIVATE LESSONS FOR SCIENCE STUDENTS
CALL OR WHATSAPP:689 45 44 70

Cartagena99

Multipath techniques for branches

- **For branches where the prediction is not reliable, both paths are executed.**
 - Pipeline does not stop.
 - Both paths compete to take the resources.
 - Require a more complex Instruction Cache, since we need 2 PCs. Memory bus requires higher bandwidth.
- **Different proposals based on:**
 - how the pipeline stages can be run speculative.
 - how the speculation is controled.
 - instructions fetch wrongly are removed.



Cartagena99

CLASES PARTICULARES, TUTORÍAS TÉCNICAS ONLINE
LLAMA O ENVIA WHATSAPP: 689 45 44 70

ONLINE PRIVATE LESSONS FOR SCIENCE STUDENTS
CALL OR WHATSAPP:689 45 44 70

Predication

- **General procedure:**
 - Branch solution (1 bit for E or NE) is stored in a predicated register.
 - Branch instructions in speculative paths make reference to these predicated registers.
 - The register or data memory is not written till the predicated is verified (do not *commit* till the predicated is verified).
- **Favourable secondary effects:**
 - Some branch instructions disappear from the code.
 - The blocks before and after the branch one can be combined in a 'hyper-block' for scheduling planification.
- **Problems:**
 - The speculation is not canceled, it is run and if needed, it is ignored.
 - ISA has to provide with instructions with predicates as additional operands.

Cartagena99

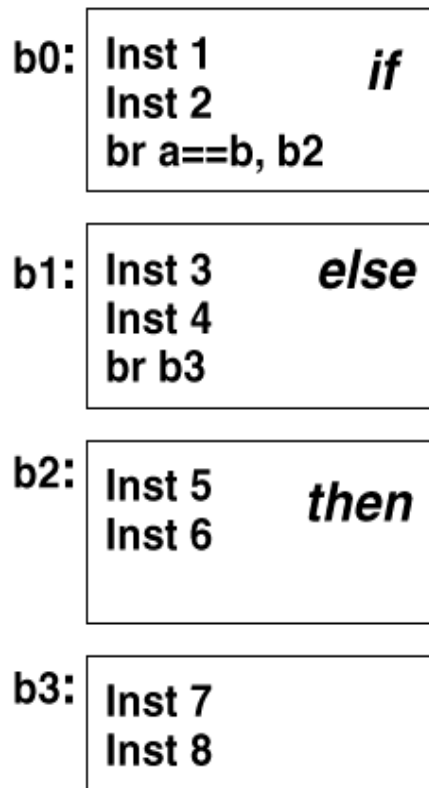
CLASES PARTICULARES, TUTORÍAS TÉCNICAS ONLINE
LLAMA O ENVÍA WHATSAPP: 689 45 44 70

- - -

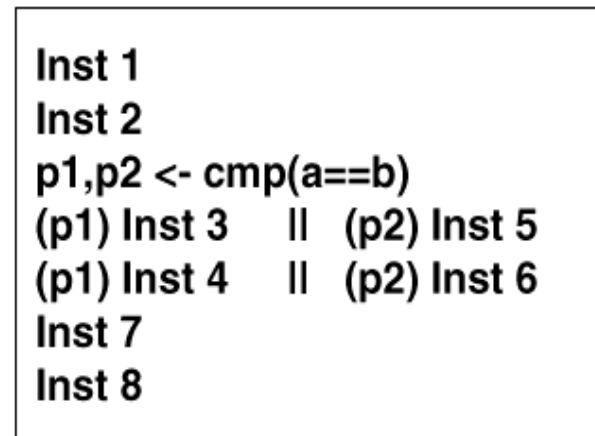
ONLINE PRIVATE LESSONS FOR SCIENCE STUDENTS
CALL OR WHATSAPP:689 45 44 70

Predication: Intel IA-64

4 basic blocks



1 basic block



With predicates

- Instructions with predicated registers equal to FALSE are the same as NOP's.

Cartagena99

CLASES PARTICULARES, TUTORÍAS TÉCNICAS ONLINE
LLAMA O ENVÍA WHATSAPP: 689 45 44 70

ONLINE PRIVATE LESSONS FOR SCIENCE STUDENTS
CALL OR WHATSAPP:689 45 44 70

Why Do Dynamic Scheduling?

- Why not just let the compiler schedule code?
- Not all stalls are predictable
 - e.g., cache misses
- Can't always schedule around branches
 - Branch outcome is dynamically determined
- Different implementations of an ISA have different latencies and hazards

Cartagena99

CLASES PARTICULARES, TUTORÍAS TÉCNICAS ONLINE
LLAMA O ENVÍA WHATSAPP: 689 45 44 70

ONLINE PRIVATE LESSONS FOR SCIENCE STUDENTS
CALL OR WHATSAPP:689 45 44 70

Does Multiple Issue Work?

- Yes, but not as much as we'd like
- Programs have real dependencies that limit ILP
- Some dependencies are hard to eliminate
 - e.g., pointer aliasing
- Some parallelism is hard to expose
 - Limited window size during instruction issue
- Memory delays and limited bandwidth
 - Hard to keep pipelines full

— Speculation can help if done well.

Cartagena99

CLASES PARTICULARES, TUTORIAS TECNICAS ONLINE
LLAMA O ENVIA WHATSAPP: 689 45 44 70

ONLINE PRIVATE LESSONS FOR SCIENCE STUDENTS
CALL OR WHATSAPP:689 45 44 70

Power Efficiency

- Complexity of dynamic scheduling and speculations requires power
- Multiple simpler cores may be better

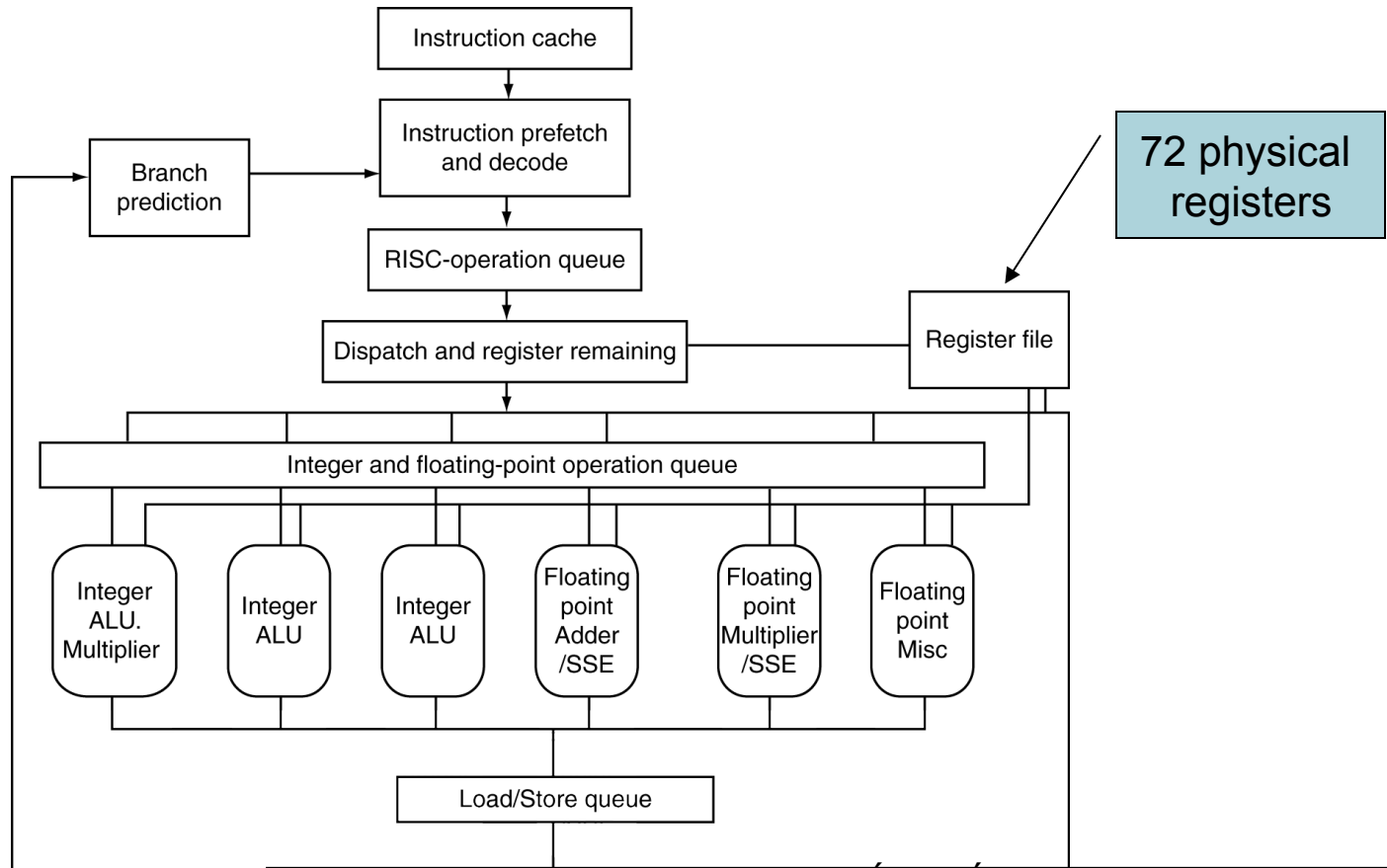
Microprocessor	Year	Clock Rate	Pipeline Stages	Issue width	Out-of-order/ Speculation	Cores	Power
i486	1989	25MHz	5	1	No	1	5W
Pentium	1993	66MHz	5	2	No	1	10W
Pentium Pro	1997	200MHz	10	3	Yes	1	29W
P4 Willamette	2001	2000MHz	22	3	Yes	1	75W
P4 Prescott	2004	3600MHz	31	3	Yes	1	103W
Core	2006	2930MHz	14	4	Yes	2	75W

Cartagena99

CLASES PARTICULARES, TUTORIAS TÉCNICAS ONLINE
LLAMA O ENVIA WHATSAPP: 689 45 44 70

ONLINE PRIVATE LESSONS FOR SCIENCE STUDENTS
CALL OR WHATSAPP:689 45 44 70

The Opteron X4 Microarchitecture



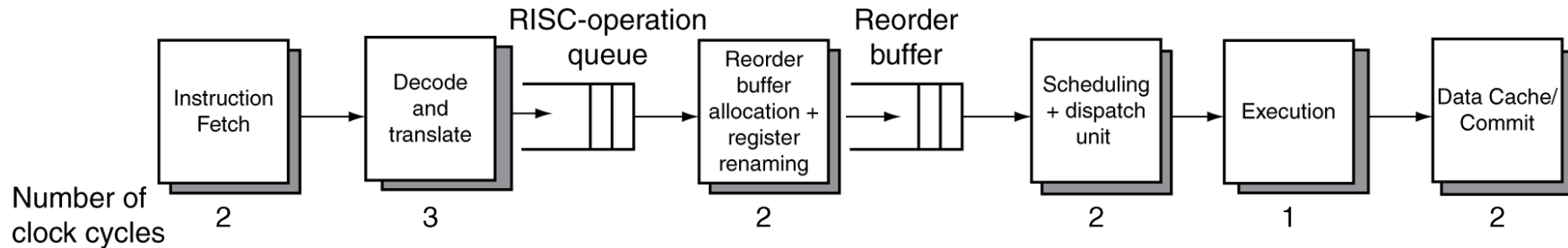
Cartagena99

CLASES PARTICULARES, TUTORÍAS TÉCNICAS ONLINE
 LLAMA O ENVIA WHATSAPP: 689 45 44 70

 ONLINE PRIVATE LESSONS FOR SCIENCE STUDENTS
 CALL OR WHATSAPP:689 45 44 70

The Opteron X4 Pipeline Flow

- For integer operations



- FP is 5 stages longer
- Up to 106 RISC-ops in progress

- Bottlenecks

- Complex instructions with long dependencies

Cartagena99

CLASES PARTICULARES, TUTORÍAS TÉCNICAS ONLINE
LLAMA O ENVÍA WHATSAPP: 689 45 44 70

ONLINE PRIVATE LESSONS FOR SCIENCE STUDENTS
CALL OR WHATSAPP:689 45 44 70

Procesadores VLIW

Procesadores con formato de instrucción muy larga (VLIW)

- Bases de VLIW y ventajas
- Superscalar vs VLIW
- Limitaciones y como se solucionan

Cartagena99

CLASES PARTICULARES, TUTORÍAS TÉCNICAS ONLINE
LLAMA O ENVÍA WHATSAPP: 689 45 44 70

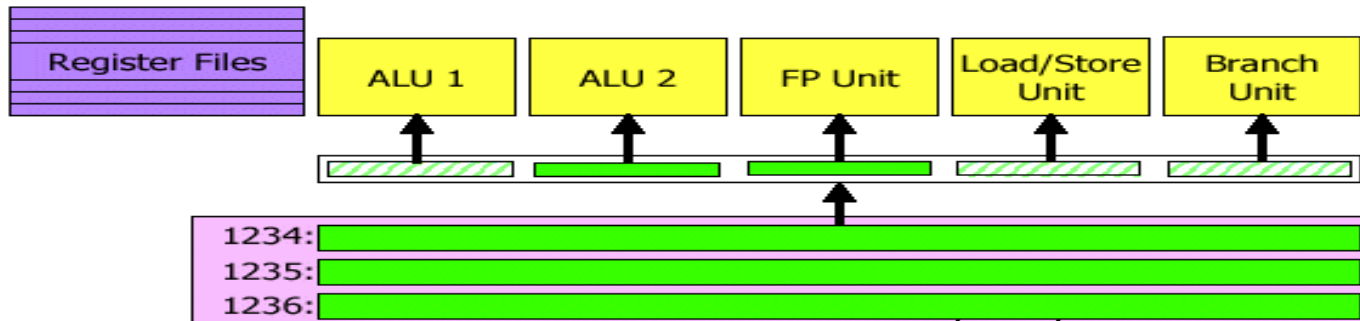
- - -

ONLINE PRIVATE LESSONS FOR SCIENCE STUDENTS
CALL OR WHATSAPP:689 45 44 70

Procesadores VLIW. Bases

La idea no es nueva (década de los 70)

- ⇒ Necesita una tecnología de compiladores que la soporte
- ⇒ Una instrucción específica múltiples operaciones que se agrupa en un formato largo de hasta 128-1024 bits
- ⇒ **Microprogramación**
- ⇒ La planificación de la ejecución de las instrucciones es externa
- ⇒ **El compilador es quien determina la efectividad del procesador**



Cartagena99

CLASES PARTICULARES, TUTORÍAS TÉCNICAS ONLINE
LLAMA O ENVÍA WHATSAPP: 689 45 44 70

ONLINE PRIVATE LESSONS FOR SCIENCE STUDENTS
CALL OR WHATSAPP:689 45 44 70

Procesadores VLIW. Código fuente: planificación estática

Código Tradicional

1000:	op 1
1001:	op 2
1002:	op 3
1003:	op 4
1004:	op 5
1005:	op 6
1006:	op 7
1007:	op 8
1008:	op 9

Código VLIW

1000:	op 1	op 6	op 7	NOP
1001:	NOP	NOP	op 3	op 4
1002:	NOP	op 2	NOP	NOP
1003:	NOP	op 5	op 12	NOP
1004:	NOP	NOP	NOP	op 17
1005:	NOP	NOP	op 8	op 16
1006:	op 13	op 14	op 9	NOP
1007:	NOP	NOP	op 10	NOP
1008:	NOP	NOP	op 11	op 15

Cartagena99

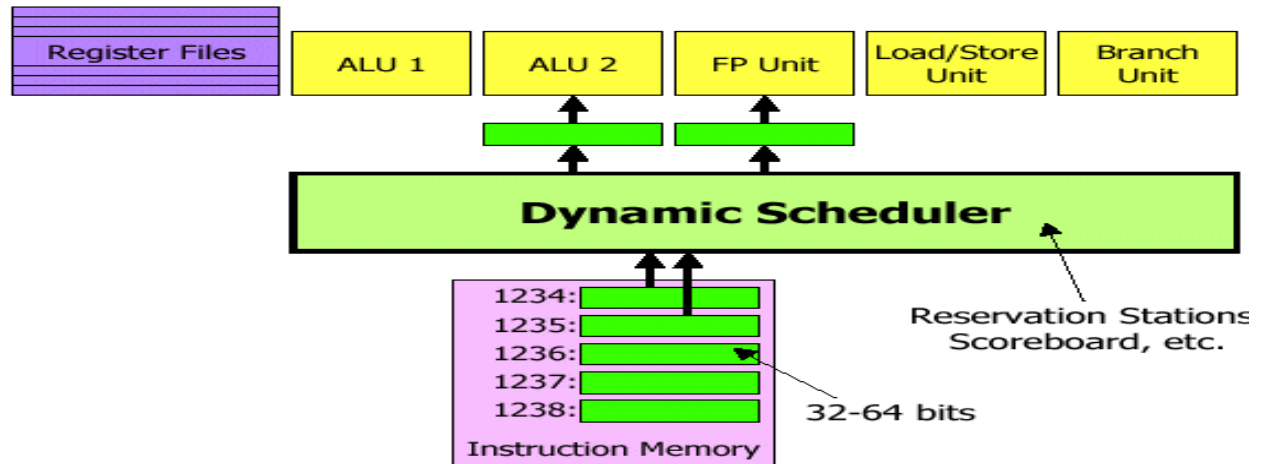
CLASES PARTICULARES, TUTORÍAS TÉCNICAS ONLINE
LLAMA O ENVÍA WHATSAPP: 689 45 44 70

- - -

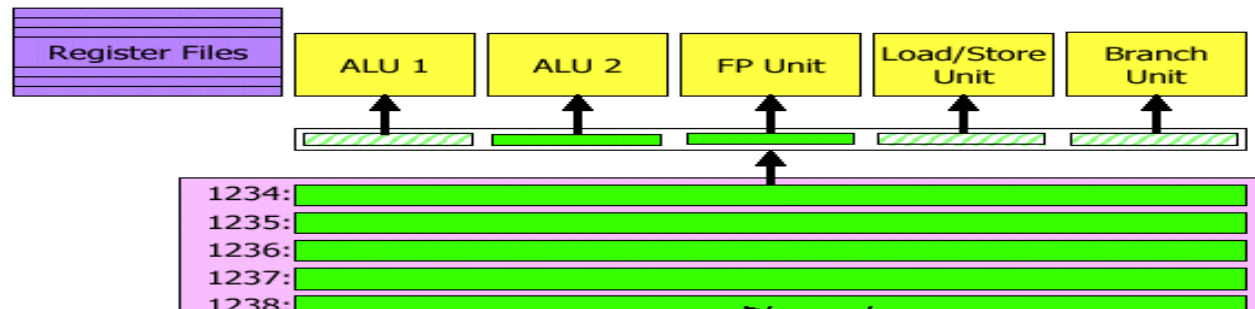
ONLINE PRIVATE LESSONS FOR SCIENCE STUDENTS
CALL OR WHATSAPP:689 45 44 70

Procesadores VLIW: superescalar vs VLIW

Superescalar



VLIW



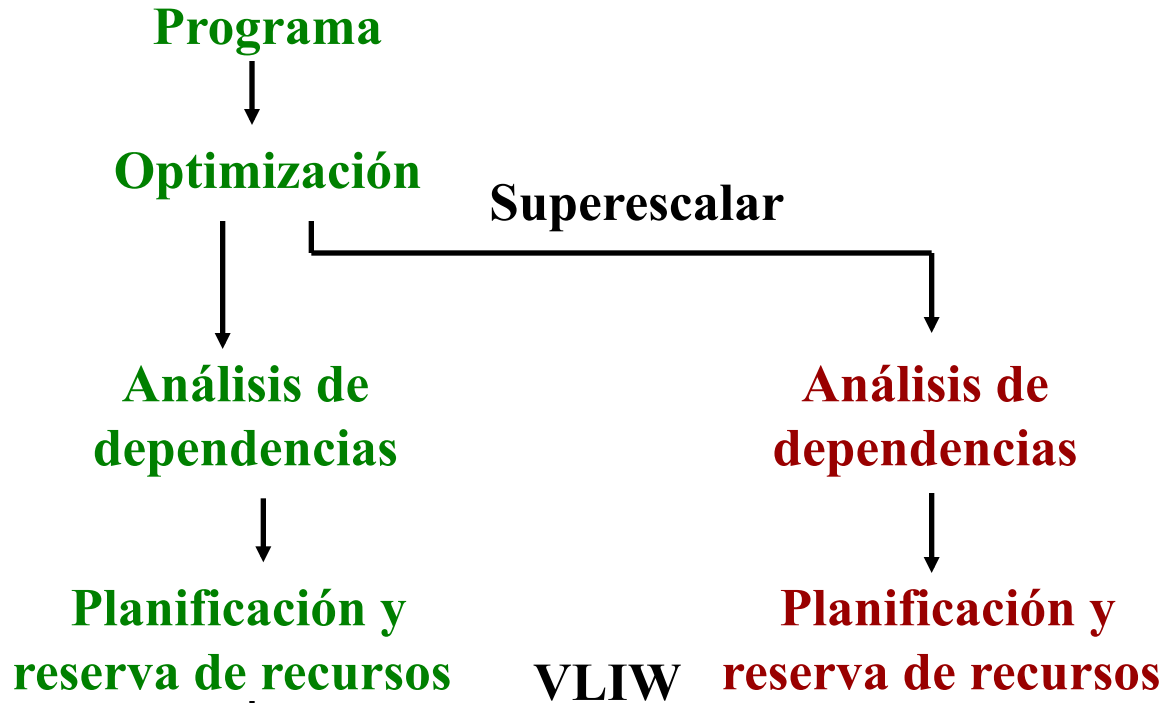
Cartagena99

CLASES PARTICULARES, TUTORÍAS TÉCNICAS ONLINE
LLAMA O ENVÍA WHATSAPP: 689 45 44 70

ONLINE PRIVATE LESSONS FOR SCIENCE STUDENTS
CALL OR WHATSAPP:689 45 44 70

Procesadores VLIW: superescalar vs VLIW

Diferente división de tareas entre **SOFTWARE** y **HARDWARE**



Cartagena99

CLASES PARTICULARES, TUTORIAS TÉCNICAS ONLINE
LLAMA O ENVÍA WHATSAPP: 689 45 44 70

ONLINE PRIVATE LESSONS FOR SCIENCE STUDENTS
CALL OR WHATSAPP:689 45 44 70

Arquitectura VLIW: ventajas

Ventajas:

⇒ **La planificación de la ejecución estática de instrucciones es realizada por el compilador y supone:**

⇒ **Menos lógica en la unidad de control.**

⇒ **Mayor frecuencia de reloj.**

⇒ **Más silicio para unidades de ejecución.**

⇒ **Arquitectura popular en aplicaciones empotradas**

⇒ **DSP**

⇒ **Multimedia**

Cartagena99

CLASES PARTICULARES, TUTORÍAS TÉCNICAS ONLINE
LLAMA O ENVÍA WHATSAPP: 689 45 44 70

- - -

ONLINE PRIVATE LESSONS FOR SCIENCE STUDENTS
CALL OR WHATSAPP:689 45 44 70

Arquitectura VLIW: limitaciones

Limitaciones a resolver en procesadores VLIW:

1.- Tamaño del código:

- La inclusión de NOP ocupa espacio en memoria.

2.- Mantener la compatibilidad de código objeto:

- Es necesario recompilar todo el código para cada diseño nuevo de procesador.

3.- Ocupar todas las Unidades de Ejecución:

- Todas acceden al mismo banco de registros.

4.- Conseguir una planificación eficiente por parte del compilador (dificultad por accesos a memoria y predicción de saltos):

- Dificultad de predicción estática de los tiempos de latencia en accesos a memoria o cachés.
- La planificación óptima de instrucciones depende de la trayectoria de los saltos

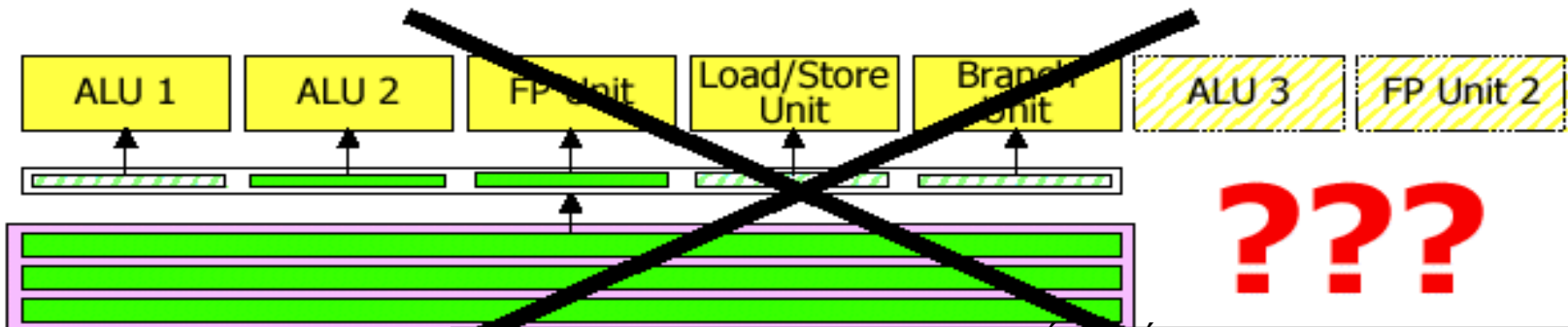
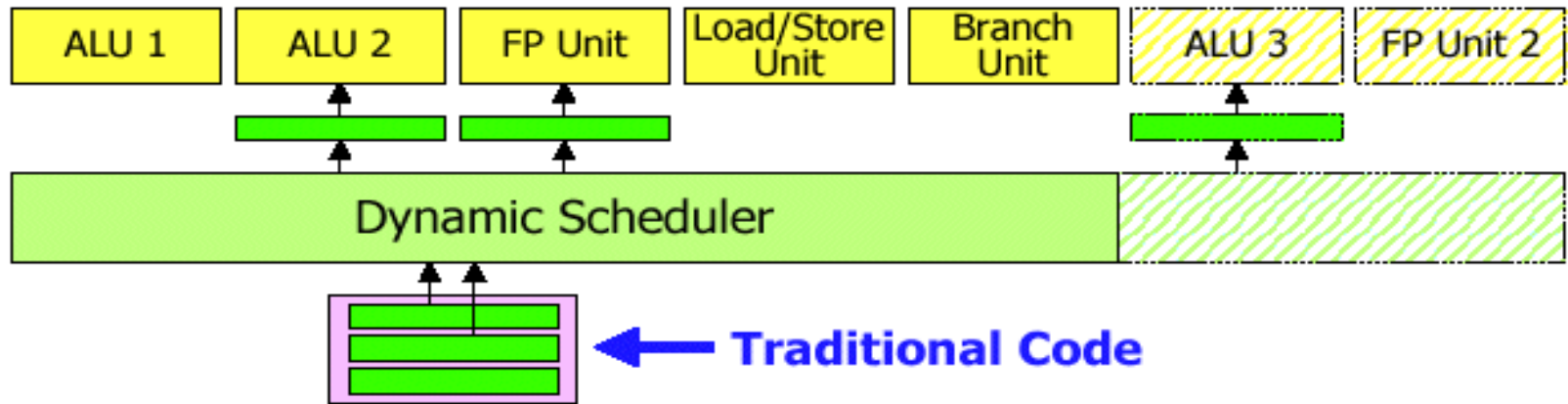
Cartagena99

CLASES PARTICULARES, TUTORÍAS TÉCNICAS ONLINE
LLAMA O ENVÍA WHATSAPP: 689 45 44 70

- - -

ONLINE PRIVATE LESSONS FOR SCIENCE STUDENTS
CALL OR WHATSAPP:689 45 44 70

Limitaciones VLIW: compatibilidad de código



Cartagena99

CLASES PARTICULARES, TUTORÍAS TÉCNICAS ONLINE
LLAMA O ENVÍA WHATSAPP: 689 45 44 70

ONLINE PRIVATE LESSONS FOR SCIENCE STUDENTS
CALL OR WHATSAPP:689 45 44 70

Limitaciones VLIW y soluciones: planificación eficiente realizada por el compilador

Optimización por el compilador: análisis global de código

⇒ **Modificación del código fuente para incrementar el paralelismo a nivel de instrucción.**

⇒ **Son aplicables las técnicas que mejoran ILP y la eficiencia en el código para procesadores superescalares:**

⇒ **Desenrollamiento de bucles (replicación de código).**

⇒ **Actualización de referencias.**

⇒ **Renombramiento de registros.**

Ejemplo: Bucle que suma una constante a los elementos de un vector

```
for (i=10; i>0 ; i = i -1)
```

```
  x[i]= x[i] + s;
```

Cartagena99

CLASES PARTICULARES, TUTORÍAS TÉCNICAS ONLINE
LLAMA O ENVÍA WHATSAPP: 689 45 44 70

- - -

ONLINE PRIVATE LESSONS FOR SCIENCE STUDENTS
CALL OR WHATSAPP:689 45 44 70

Limitaciones VLIW y soluciones: planificación eficiente realizada por el compilador

Ejemplo: Bucle que suma una constante a los elementos de un vector

```
for (i=10; i>0 ; i = i -1)  
    x[i]= x[i] + s;
```

Codificación

```
Loop : ld    $f0, ($r1)  
        addd $f4, $f0,$f2  
        sd   ($r1), $f4
```

// vector en posiciones de memoria 0-80

// cargar el elemento del vector (\$r1=80)

// suma la constante, (f2 = s)

// almacena elemento del vector en la misma

posición

```
subi $r1, $r1, 8  
bnez $r1, Loop
```

// apunta al siguiente elemento (*double word*);

Procesador VLIW con tres Unidades de Ejecución:

Unidad LD/ST y Saltos

Unidad de Enteros (ALU)

Unidad de Coma Flotante

Cartagena99

CLASES PARTICULARES, TUTORÍAS TÉCNICAS ONLINE
LLAMA O ENVÍA WHATSAPP: 689 45 44 70

ONLINE PRIVATE LESSONS FOR SCIENCE STUDENTS
CALL OR WHATSAPP:689 45 44 70

Limitaciones VLIW y soluciones: planificación eficiente realizada por el compilador

Ejemplo: Codificación VLIW

Unidad LD/ST y Saltos	Unidad de Enteros (ALU)	Unidad de Coma Flotante	Ciclo
ld \$f0, (\$r1)	nop	nop	1
nop	nop	nop	2
nop	nop	addd \$f4, \$f0, \$f2	3
nop	nop	nop	4
nop	nop	nop	5
sd (\$r1), \$f4	subi \$r1, \$r1, 8	nop	6
nop	nop	nop	7
bnez \$r1, Loop	nop	nop	8

Cartagena99

CLASES PARTICULARES, TUTORÍAS TÉCNICAS ONLINE
LLAMA O ENVIA WHATSAPP: 689 45 44 70

ONLINE PRIVATE LESSONS FOR SCIENCE STUDENTS
CALL OR WHATSAPP:689 45 44 70

Limitaciones VLIW y soluciones: planificación eficiente realizada por el compilador

Ejemplo: Codificación VLIW

```
Loop: ld      $f0, ($r1)
      add    $f4, $f0, $f2
      sd    ($r1), $f4

      subi  $r1, $r1, 8
      bnez  $r1, Loop
```



```
Loop: ld      $f0, ($r1)
      add    $f4, $f0, $f2
      sd    ($r1), $f4

      ld    $f6, ($r1-8)
      add    $f8, $f6, $f2
      sd    ($r1-8), $f8

      ld    $f10, ($r1-16)
      add    $f12, $f10, $f2
      sd    ($r1-16), $f12

      ld    $f14, ($r1-24)
      add    $f16, $f14, $f2
      sd    ($r1-24), $f16

      ld    $f18, ($r1-32)
      add    $f20, $f18, $f2
      sd    ($r1-32), $f20
```

1.- Replicación de Código

2.- Actualización de referencias

Cartagena99

CLASES PARTICULARES, TUTORÍAS TÉCNICAS ONLINE
LLAMA O ENVÍA WHATSAPP: 689 45 44 70

ONLINE PRIVATE LESSONS FOR SCIENCE STUDENTS
CALL OR WHATSAPP:689 45 44 70

Limitaciones VLIW y soluciones: planificación eficiente realizada por el compilador

Ejemplo: Codificación VLIW optimizada

Unidad LD/ST y Saltos	Unidad de Enteros (ALU)	Unidad de Coma Flotante	Ciclo
ld \$f0, (\$r1)	nop	nop	1
ld \$f6, (\$r1-8)	nop	nop	2
ld \$f10, (\$r1-16)	nop	add \$f4, \$f0, \$f2	3
ld \$f14, (\$r1-24)	nop	add \$f8, \$f6, \$f2	4
ld \$f18, (\$r1-32)	nop	add \$f12, \$f10, \$f2	5
sd (\$r1), \$f4	nop	add \$f16, \$f14, \$f2	6
sd (\$r1-8), \$f8	nop	add \$f20, \$f18, \$f2	7
sd (\$r1-16), \$f12	nop	nop	8
sd (\$r1-24), \$f16	nop	nop	9
sd (\$r1-32), \$f20	subi \$r1, \$r1, 40	nop	10
nop	nop	nop	11

Cartagena99

CLASES PARTICULARES, TUTORÍAS TÉCNICAS ONLINE
LLAMA O ENVÍA WHATSAPP: 689 45 44 70

ONLINE PRIVATE LESSONS FOR SCIENCE STUDENTS
CALL OR WHATSAPP:689 45 44 70

Tiempo de ejecución: 10 ciclos/iteración * 2 iteraciones = 20 ciclos